

BALDOR® • *RELIANCE*

Product Information Packet

VECP3774T-4

10HP, 1760RPM, 3PH, 60HZ, 215TC, 0748M, TEFC, F

Copyright © All product information within this document is subject to Baldor Electric Company copyright © protection, unless otherwise noted.

Part Detail							
Revision:	B	Status:	PRD/A	Change #:		Proprietary:	No
Type:	AC	Prod. Type:	0748M	Elec. Spec:	07WGX556	CD Diagram:	
Enclosure:	TEFC	Mfg Plant:		Mech. Spec:	07K370	Layout:	
Frame:	215TC	Mounting:	F1	Poles:	04	Created Date:	02-15-2011
Base:	N	Rotation:	R	Insulation:	F	Eff. Date:	09-17-2012
Leads:	3#14	Literature:		Elec. Diagram:		Replaced By:	

Nameplate NP1260E									
CAT.NO.	VECP3774T-4								
SPEC.	07K370X556G2								
HP	10								
VOLTS	460								
AMP	12.5								
RPM	1760								
FRAME	215TC	HZ			60	PH	3		
SER.F.	1.15	CODE			H	DES	A	CL	F
NEMA-NOM-EFF	92.4	PF			82				
RATING	40C AMB-CONT								
CC	010A	USABLE AT 208V							
DE	6307	ODE			6307				
ENCL	TEFC	SN							

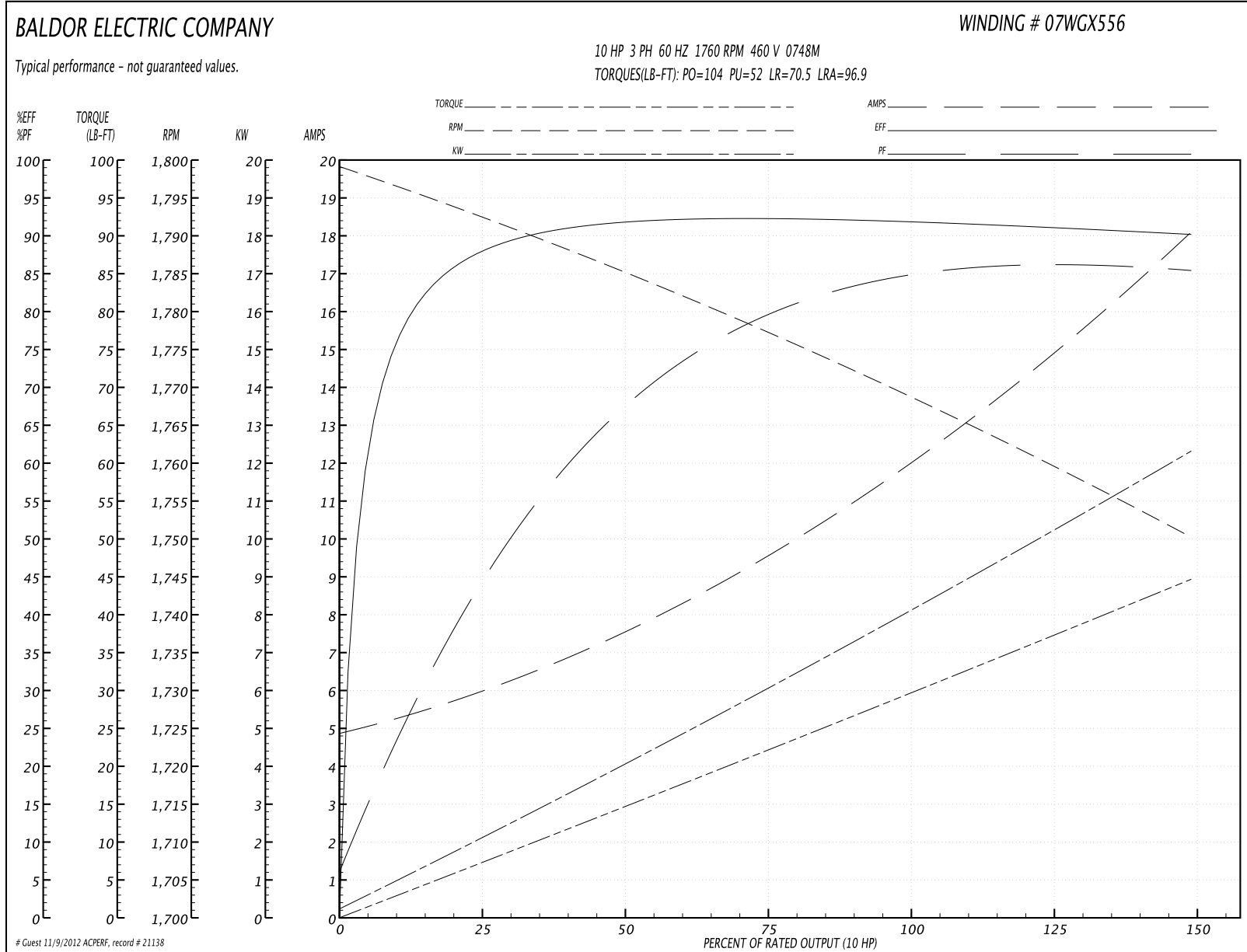
Parts List		
Part Number	Description	Quantity
SA217594	SA 07K370X556G2	1.000 EA
RA204773	RA 07K370X556G2	1.000 EA
37FN3002C01	EXFN, PLASTIC, 6.00 OD, 1.155 ID	1.000 EA
S/P107-000-001	SUPER E PROC'S-FS & WS PLTS-POLYREX EM G	1.000 EA
HW3201A05	3/8-16 EYEBOLT	1.000 EA
09CB1001A03G	CONDUIT BOX, MACH GRAY	1.000 EA
RM1017	LEAD SEPERATOR GASKET MODEL 307 1/8" THK	1.000 EA
51XW2520A12	.25-20 X .75, TAPTITE II, HEX WSHR SLTD	2.000 EA
11XW1032G06	10-32 X .38, TAPTITE II, HEX WSHR SLTD U	1.000 EA
HW3001B01	003SS CUP WASHER, FOR #8 SCREW	1.000 EA
10XN2520S06	1/4 20X3/8 HX HD CAP S.S.	2.000 EA
WD1000B16	KPA-4C BURNDY TERMINAL	2.000 EA
37EP1101C43G	TEFC 307 BRG, GRSR,RELIEF,.25-20 FH TAPS	1.000 EA
HW4500A01	1641B(ALEMITE)400 UNIV, GREASE FITT	1.000 EA
HA4051A00	PLASTIC CAP FOR GREASE FITTING	1.000 EA
HW4500A17	317400 ALEMITE GREASE RELIEF	1.000 EA
HA4001A01SP	DRAIN PLUG, PLASTIC (MICRO PLAS)	1.000 EA
HW5100A08	W3118-035 WVY WSHR (WB)	1.000 EA
37EP1300A41G	FACE MTD E.P. ENCL 307 BRG. 213-5TC S.P.	1.000 EA
HW4500A01	1641B(ALEMITE)400 UNIV, GREASE FITT	1.000 EA
HA4051A00	PLASTIC CAP FOR GREASE FITTING	1.000 EA
HW4500A17	317400 ALEMITE GREASE RELIEF	1.000 EA
HA4001A01SP	DRAIN PLUG, PLASTIC (MICRO PLAS)	1.000 EA
10XN2520A30	HEX HD CAP SCREW-STD THD-.25 X 20 THD PE	4.000 EA

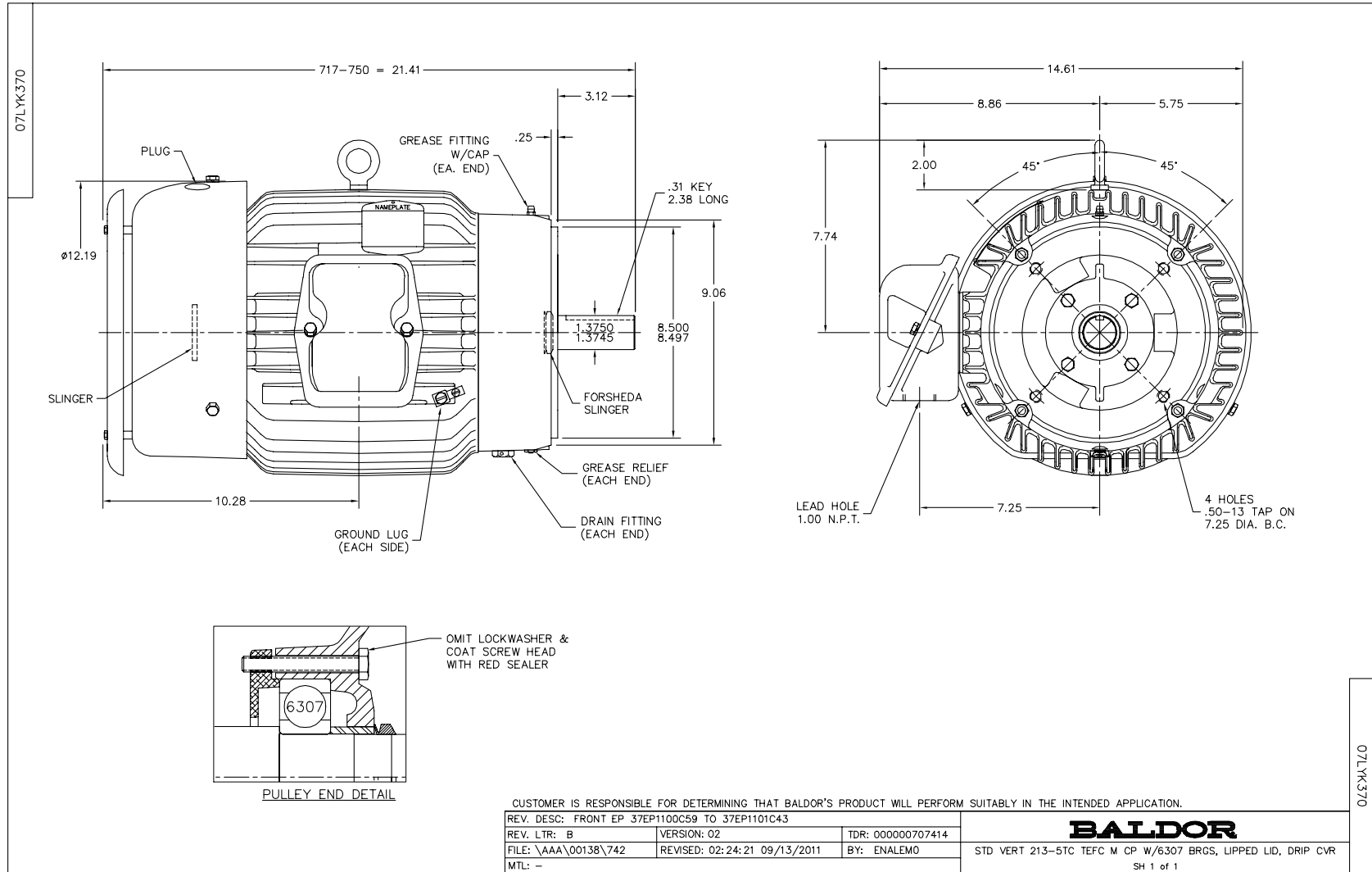
Parts List (continued)		
Part Number	Description	Quantity
XY3118A12	5/16-18 HEX NUT DIRECTIONAL SERRATION	4.000 EA
51XB1214A20	12-14X1.25 HXWSSLD SERTYB	1.000 EA
07FH1001A02G	FAN HOUSING, 307 W/MTG BOSSES, GRS HOLE	1.000 EA
10XN2520A16	1/4-20 X 1 HEX HEAD CAP SCR, ZINC PLATED	3.000 EA
WD4100A02	DP-1000 HEYCO PLUG OR 62MP1000 MICRO PL	1.000 EA
39FH4500A04G	SP'L DRIP COVER FOR 307 MOTOR MACH GRAY	1.000 EA
12XN1032A20	10-32X1 1/4 HXWS SLTD	4.000 EA
HA2001A09	SPACER, .218 ID X .937 LG	4.000 EA
09CB1504A01G	LIPPED CONDUIT BOX LID, MACH GRAY EPOXY	1.000 EA
09GS1001A01SP	GASKET, BOX LID, 1/8 THICK BLACK NEOPREN	1.000 EA
10XF2520A12	1/4-20 X 3/4 HX HD TYPE F	2.000 EA
HW1001A25	LOCKWASHER 1/4, ZINC PLT .493 OD, .255 I	2.000 EA
HA1005A07SP	SLINGER, OD 2.25, ID 1.344, 307 BRG	1.000 EA
HW4600B33	V-RING SLINGER 1.375 X 1.890 X 0.350	1.000 EA
HW2501F21	KEY, 5/16 SQ X 2.375	1.000 EA
HA7000A02	KEY RETAINER RING, 1 1/8 DIA, 1 3/8 DIA	1.000 EA
MJ5001A01	46-665 RED SEALER	0.001 QT
85XU0407S04	4X1/4 U DRIVE PIN STAINLESS	2.000 EA
LB1115	LABEL,LIFTING DEVICE	1.000 EA
LB1002	LABEL,MARINE DUTY (ON ROLLS)	1.000 EA
MJ1000A75	GREASE, POLYREX EM EXXON	0.050 LB
HA3104A32	THRUBOLT- 5/16-18 X12.750	4.000 EA
MG1025N19	PAINT, 778.50 WILKO, RELIANCE ELEC GREEN	0.036 GA
LB1119	WARNING LABEL	1.000 EA

Parts List (continued)		
Part Number	Description	Quantity
LB1125C02	SUPER-E (STOCK CTN LABEL SUPER-E WITH FL	1.000 EA
LC0006	CONNECTION LABEL	1.000 EA
LB1357	ENERGY GUIDE LABEL (BOX LABEL)	1.000 SH
NP1260E	SS CP SUPER-E UL CSA CC	1.000 EA
07PA1011	PKG GRP, 07 CAST IRON PK1181	1.000 EA
07PA1095	PKG GRP, VER 07 CAST IRON	1.000 EA

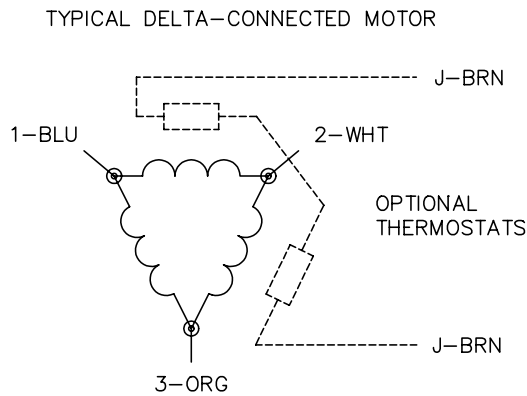
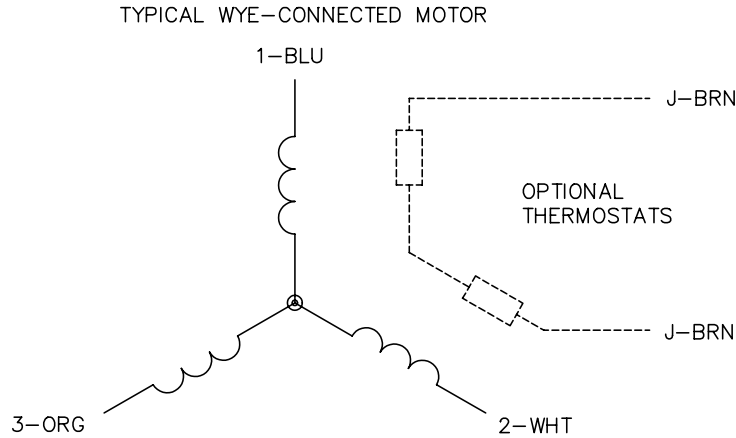
Performance Data at 460V, 60Hz, 10.0HP (Typical performance - Not guaranteed values)							
General Characteristics							
Full Load Torque:	29.7 LB-FT			Start Configuration:	DOL		
No-Load Current:	5.06 Amps			Break-Down Torque:	104.0 LB-FT		
Line-line Res. @ 25°C.:	0.978 Ohms A Ph / 0.0 Ohms B Ph			Pull-Up Torque:	52.0 LB-FT		
Temp. Rise @ Rated Load:	55 C			Locked-Rotor Torque:	70.5 LB-FT		
Temp. Rise @ S.F. Load:	68 C			Starting Current:	96.9 Amps		
Load Characteristics							
% of Rated Load	25	50	75	100	125	150	S.F.
Power Factor:	46.0	69.0	79.0	83.0	85.0	86.0	84.0
Efficiency:	88.6	92.2	92.7	92.3	91.5	90.3	91.8
Speed:	1793.0	1785.0	1777.0	1769.0	1760.0	1750.0	1764.0
Line Amperes:	5.73	7.38	9.59	12.2	14.9	18.0	13.8

Performance Graph at 460V, 60Hz, 10.0HP Typical performance - Not guaranteed values





CD0006



NOTES:

1. THREE LEAD MOTOR MAY BE EITHER WYE CONNECTED OR DELTA CONNECTED.
2. INTERCHANGE ANY TWO LINE LEADS TO REVERSE ROTATION.
3. OPTIONAL THERMOSTATS ARE PROVIDED WHEN SPECIFIED.
4. ACTUAL NUMBER OF INTERNAL PARALLEL CIRCUITS MAY VARY.
5. LEAD COLORS ARE OPTIONAL. LEADS MUST BE NUMBERED AS SHOWN.

REV. DESC: REVISE TO SHOW OPTIONAL COLORS			
REV. LTR: D	BY: JLP	REVISED: 01/21/99 4:02	TDR: 0171435
9000D		FILE: AAA00005141	MDL: -
		MTL: -	

BALDOR ELECTRIC Co.

3PH, SV, 3 LEADS, WYE OR DELTA CONNECTED

CD0006