

# **BALDOR® • RELIANCE**

## **Product Information Packet**

### **JSM3111**

**.75HP,3450RPM,3PH,60HZ,56YZ,3416M,OPEN,F**

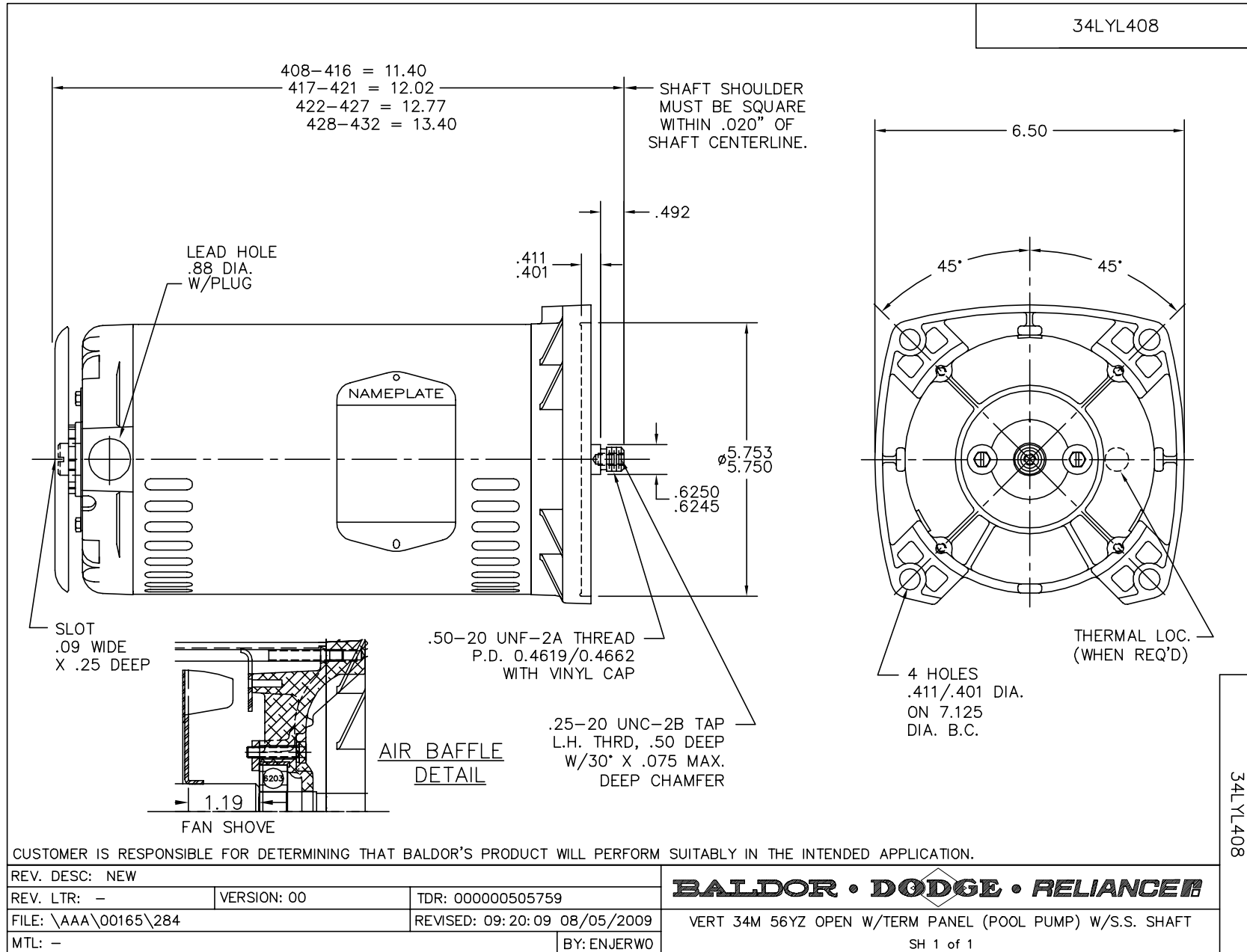
Copyright © All product information within this document is subject to Baldor Electric Company copyright © protection, unless otherwise noted.

Part Detail							
Revision:	D	Status:	PRD/A	Change #:		Proprietary:	No
Type:	AC	Prod. Type:	3416M	Elec. Spec:	34WG2719	CD Diagram:	
Enclosure:	OPEN	Mfg Plant:		Mech. Spec:	34L408	Layout:	
Frame:	56YZ	Mounting:	F1	Poles:	02	Created Date:	08-05-2009
Base:	N	Rotation:	R	Insulation:	B	Eff. Date:	06-17-2011
Leads:	9#18	Literature:		Elec. Diagram:		Replaced By:	

Nameplate NP1256L									
CAT.NO.	JSM3111								
SPEC.	34L408-2719								
HP	.75								
VOLTS	208-230/460								
AMP	3.2-3/1.5								
RPM	3450								
FRAME	56YZ	HZ	60	PH	3				
SER.F.	1.50	CODE	M	DES	B	CLASS	B		
NEMA-NOM-EFF	74	PF	66						
RATING	40C AMB-CONT								
CC				USABLE AT 208V	4				
DE	6203	ODE	6203						
ENCL	OPEN	SN							
	SFA 4-3.8/1.9								

Parts List		
Part Number	Description	Quantity
SA184371	SA 34L408-2719	1.000 EA
RA172210	RA 34L408-2719	1.000 EA
WD4100A01	DP-875 HEYCO PLUG OR 62MP0875 MICRO PLAS	1.000 EA
11XT0832G06	8-32 X 3/8 TY 23 TAPPING	1.000 EA
SP1000A01	TERM BOARD, MODEL 34 SW	1.000 EA
51XW0832A07	8-32 X .44, TAPTITE II, HEX WSHR SLTD SE	3.000 EA
RM1010A12	.437 I.D. 1" VINYL CAP (SHORT) MOCAP	1.000 EA
34EP3202A02	FR ENDPLATE, MACH	1.000 EA
HW5100A03SP	WAVY WASHER (W1543-017)	1.000 EA
34EP3501A14E	ENDPLATE, MACH W/BLACK E-COATING	1.000 EA
51XN1032A20	10-32 X 1 1/4 HX WS SL SR	2.000 EA
34AD2007	BAFFLE PLATE INJECTION MOLD	1.000 EA
51XT0632A06	6-32X3/8 TY23 HXWS SLDSR	4.000 EA
34FH4500A02P	DRIPCOVER, MODEL 34	1.000 EA
51XW0832A07	8-32 X .44, TAPTITE II, HEX WSHR SLTD SE	2.000 EA
34CB4501SP	TERMINAL BOX LID, STAMPED X (PLATED)	1.000 EA
51XW0832A07	8-32 X .44, TAPTITE II, HEX WSHR SLTD SE	2.000 EA
51XW0832A07	8-32 X .44, TAPTITE II, HEX WSHR SLTD SE	2.000 EA
MG1000G27	PAINT- S9282E CHARCOAL GREY	0.014 GA
10XF0440S02	04-40 X 1/8 TYPE F HEX HD STAINLESS STIC	2.000 EA
HA3100A16	THRUBOLT 10-32 X 8.750	4.000 EA
LB5040	INSTRUCTION TAG, AC & DC	1.000 EA
LB1125C01	STD (STOCK) CARTON LABEL BALDOR WITH FLA	1.000 EA
LC0005E01	CONN.DIA./WARNING LABEL (LC0005/LB1119)	1.000 EA

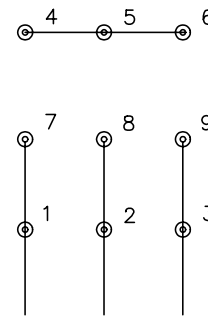
Parts List (continued)		
Part Number	Description	Quantity
NP1256L	ALUM UL CSA CC	1.000 EA
34PA1002	PACKING GROUP, BALDOR	1.000 EA
PK3083T	STYROFOAM PACKING CRADLE W/TAPE	1.000 EA



CD0005

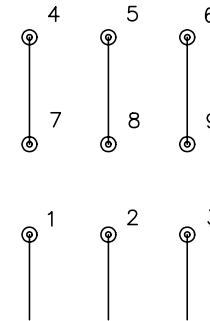


LOW VOLTAGE  
(2Y)



LINE

HIGH VOLTAGE  
(1Y)



LINE

NOTES:

1. INTERCHANGE ANY TWO LINE LEADS TO REVERSE ROTATION.
2. OPTIONAL THERMOSTATS ARE PROVIDED WHEN SPECIFIED.
3. ACTUAL NUMBER OF INTERNAL PARALLEL CIRCUITS MAY BE A MULTIPLE OF THOSE SHOWN ABOVE.
4. LEAD COLORS ARE OPTIONAL. LEADS MUST ALWAYS BE NUMBERED AS SHOWN.

REV. DESC: REVISE TO SHOW OPTIONAL COLORS			
REV. LTR: E	BY: JLP	REVISED: 01/19/99 10:15	TDR: 0171435
90000		FILE: AAA00005140	MDL: -
		MTL: -	

**BALDOR ELECTRIC Co.**

3PH, DV, 9 LEADS

CD0005