

BALDOR® • ***RELIANCE***

Product Information Packet

FDL3612TM

5HP,1725RPM,1PH,60HZ,184T,3646LC,TEFC,F1

Copyright © All product information within this document is subject to Baldor Electric Company copyright © protection, unless otherwise noted.

Part Detail							
Revision:	B	Status:	PRD/A	Change #:		Proprietary:	No
Type:	AC	Prod. Type:	3646LC	Elec. Spec:	36WGW279	CD Diagram:	
Enclosure:	TEFC	Mfg Plant:		Mech. Spec:	36M950	Layout:	
Frame:	184T	Mounting:	F1	Poles:	04	Created Date:	03-02-2010
Base:	RG	Rotation:	R	Insulation:	F	Eff. Date:	05-07-2012
Leads:	2#10 A PH,3#16 B&J	Literature:		Elec. Diagram:		Replaced By:	

Nameplate NP1280L										
CAT.NO.	FDL3612TM									
SPEC.	36M950W279									
HP	5									
VOLTS	230									
AMP	23									
RPM	1725									
FRAME	184T	HZ				60	PH	1		
SER.F.	1.00	CODE				J	DES	L	CL	F
NEMA-NOM-EFF	80	PF				88				
RATING	40C AMB-CONT									
CC					USABLE AT 208V					
DE	6206	ODE				6205				
ENCL	TEFC	SN								

Parts List		
Part Number	Description	Quantity
SA191657	SA 36M950W279	1.000 EA
RA179316	RA 36M950W279	1.000 EA
OC3030F11SP	CYL OIL CAP 30MFD/370V	1.000 EA
TPLED1027SP	THERMAL 1PH 1.5 MAN REF LED989 TDR #5817	1.000 EA
EC1216C06SP	ELEC CAP, 216-259 MFD, 250V, 2.06D X 4.	2.000 EA
TP5059	GENERIC THERMAL KIT	1.000 EA
HW3200A01	3/8-16X3/4 I-BLT WELDED F/S	1.000 EA
37CB3805A06	CAPAC BOX, DIECAST W/CAST LEAD & THERMAL	1.000 EA
37GS3002	GASKET, CAPACITOR BOX	1.000 EA
10XN2520A08	1/4-20X1/2 HEX HEAD CAP	4.000 EA
HA2001A09	SPACER, .218 ID X .937 LG	2.000 EA
RM1015	BOOT FOR MANUAL THERMALS	1.000 EA
51XN1032A28	10-32 X 1 3/4 HX WS SL SR	2.000 EA
XY1032A02	10-32 HEX NUT DIRECTIONAL SERRATION	2.000 EA
11XW1032G06	10-32 X .38, TAPTITE II, HEX WSHR SLTD U	1.000 EA
HW3001B01	003SS CUP WASHER, FOR #8 SCREW	1.000 EA
36EP3104A01	FREP MACH W/GRSR, RAISED FH PADS	1.000 EA
HW4500A01	1641B(ALEMITE)400 UNIV, GREASE FITT	1.000 EA
13XF0832A08	8-32 X.50 PAN HD,SLTD, TYPE F SCREW, ZIN	2.000 EA
HA6003A16	CLAMP, CAPACITOR SIZE 8 1/4 X 1 1/2 PL	1.000 EA
51XW0832A07	8-32 X .44, TAPTITE II, HEX WSHR SLTD SE	2.000 EA
HW5100A05	WVY WSHR F/205 & 304 BRGS	1.000 EA
36EP3100A01SP	PU ENDPLATE, MACH	1.000 EA
HW4500A01	1641B(ALEMITE)400 UNIV, GREASE FITT	1.000 EA

Parts List (continued)		
Part Number	Description	Quantity
HA3101A28	THRUBOLT 1/4-20 X 12.500 OHIO ROD	4.000 EA
XY2520A12	1/4-20 HEX NUT, DIRECTIONAL SERRATIONS	4.000 EA
36FN3000A01SP	EXFN, PLASTIC, 7.00 OD, .912 ID	1.000 EA
51XB1214A16	12-14X1.00 HXWSSLD SERTYB	1.000 EA
36FH4009A104	IEC FH GREASER W/AUTOPHERETIC PRIMER	1.000 EA
51XW1032A06	10-32 X .38, TAPTITE II, HEX WSHR SLTD S	3.000 EA
37CB4502	CAPAC BOX LID, STAMPED PLATED	1.000 EA
37GS3003SP	GASKET, CAPAC BOX LID X	1.000 EA
51XW0832A07	8-32 X .44, TAPTITE II, HEX WSHR SLTD SE	6.000 EA
HA1005A02SP	SLINGER, OD 2.00, ID 1.14, 206 BRG,	1.000 EA
HW2501E16	3KEY, 1/4 SQ X 1.750	1.000 EA
HA7000A02	KEY RETAINER RING, 1 1/8 DIA, 1 3/8 DIA	1.000 EA
85XU0407S04	4X1/4 U DRIVE PIN STAINLESS	2.000 EA
LB1115	LABEL,LIFTING DEVICE	1.000 EA
LB1087	LABEL,MANUAL RESET (ROLL LABEL)	1.000 EA
MJ1000A75	GREASE, POLYREX EM EXXON	0.050 LB
MG1025C02	PAINT, 787.105 LITE TAN EPOXY (USE W/MG1	0.022 GA
MG1025Z20	ACTIVATOR WILKOFAS 060.32	0.010 GA
WD1000A15	3-520132-2 AMP FLAG (4M/RL NON-CANC/NON-	6.000 EA
SP5172A11	37 TYPE L TORQ STAT SWITCH LEAD ASSEMBLY	1.000 EA
LB1119	WARNING LABEL	1.000 EA
LB1125C01	STD (STOCK) CARTON LABEL BALDOR WITH FLA	1.000 EA
LC0002	CONNECTION LABEL	1.000 EA
NP1280L	ALUM FARM DUTY UL CSA CC THERMAL	1.000 EA

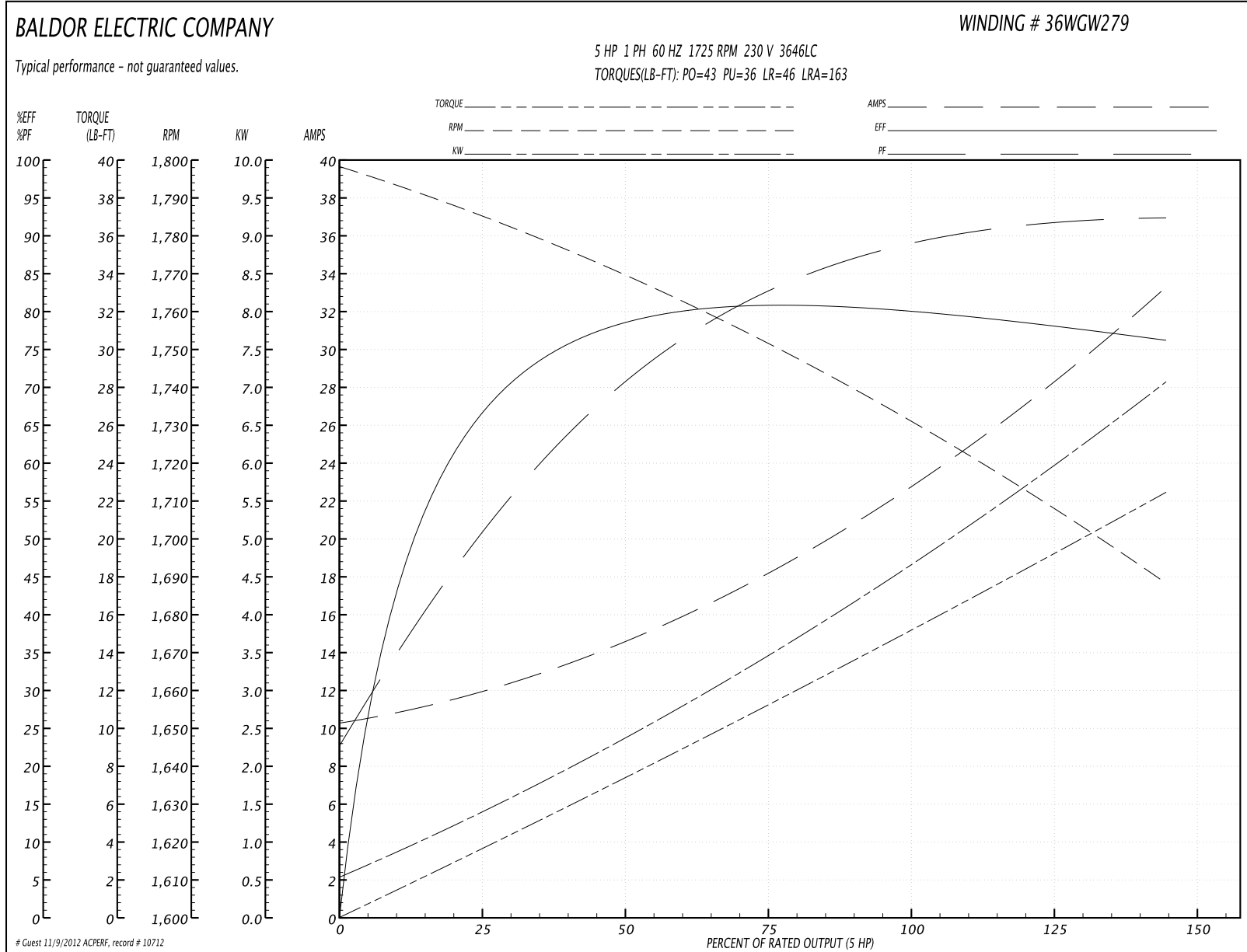
Parts List (continued)		
Part Number	Description	Quantity
36PA1001	PACKAGING GROUP	1.000 EA

Accessories		
Part Number	Description	Multiplier
36-3301	C FACE KIT	A8
36EP1304A62SP	FLANGE MTD ENDPLATE 182-4TD -ENCL (LESS	A8

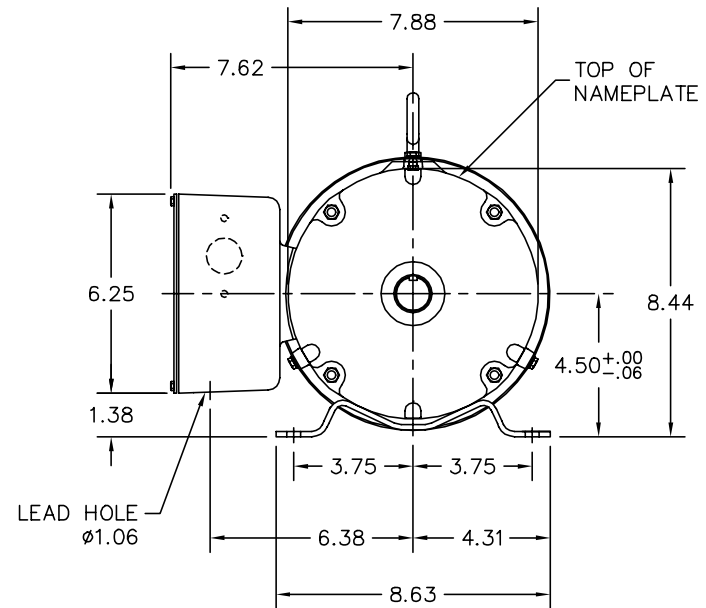
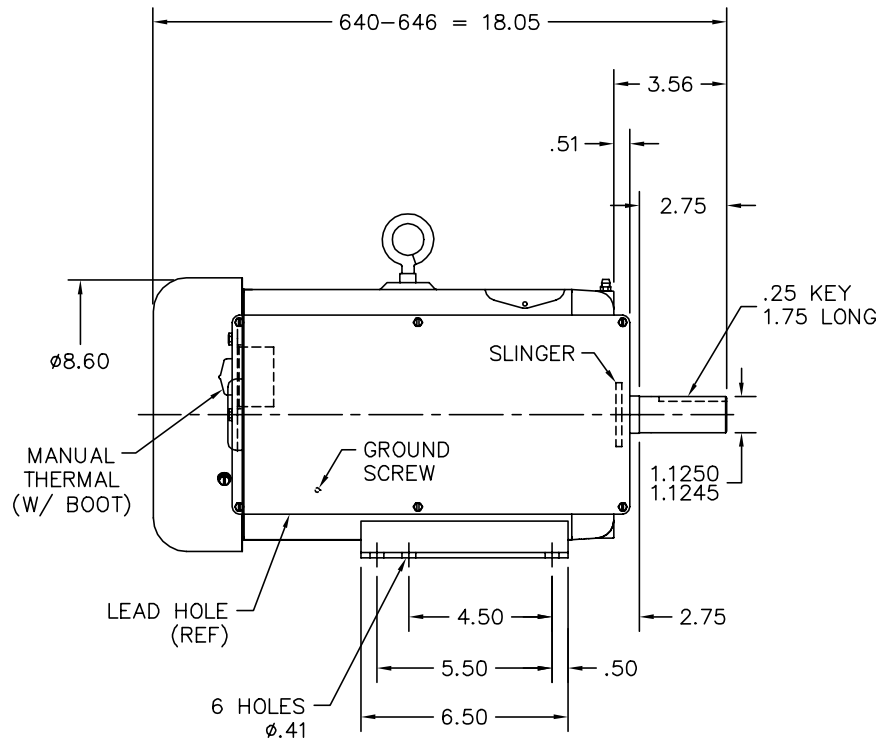
Performance Data at 230V, 60Hz, 5.0HP (Typical performance - Not guaranteed values)

General Characteristics							
Full Load Torque:	15.0 LB-FT			Start Configuration:	DOL		
No-Load Current:	10.0 Amps			Break-Down Torque:	43.0 LB-FT		
Line-line Res. @ 25°C.:	0.353 Ohms A Ph / 2.23 Ohms B Ph			Pull-Up Torque:	36.0 LB-FT		
Temp. Rise @ Rated Load:	97 C			Locked-Rotor Torque:	46.0 LB-FT		
Temp. Rise @ S.F. Load:				Starting Current:	163.0 Amps		
Load Characteristics							
% of Rated Load	25	50	75	100	125	150	S.F.
Power Factor:	54.0	71.0	85.0	89.0	89.0	91.0	0.0
Efficiency:	65.0	76.1	81.5	80.8	79.3	75.5	0.0
Speed:	1786.0	1769.0	1750.0	1732.0	1713.0	1687.0	0.0
Line Amperes:	12.7	14.0	18.5	22.6	27.3	33.5	0.0

Performance Graph at 230V, 60Hz, 5.0HP Typical performance - Not guaranteed values



36LYM950



CUSTOMER IS RESPONSIBLE FOR DETERMINING THAT BALDOR'S PRODUCT WILL PERFORM SUITABLY IN THE INTENDED APPLICATION.

REV. DESC: NEW		
REV. LTR: -	VERSION: 00	TDR: 000000531173
FILE: \AAA\00170\015	REVISED: 11:07:25 03/02/2010	
MTL: -	BY: ENJOSRO	

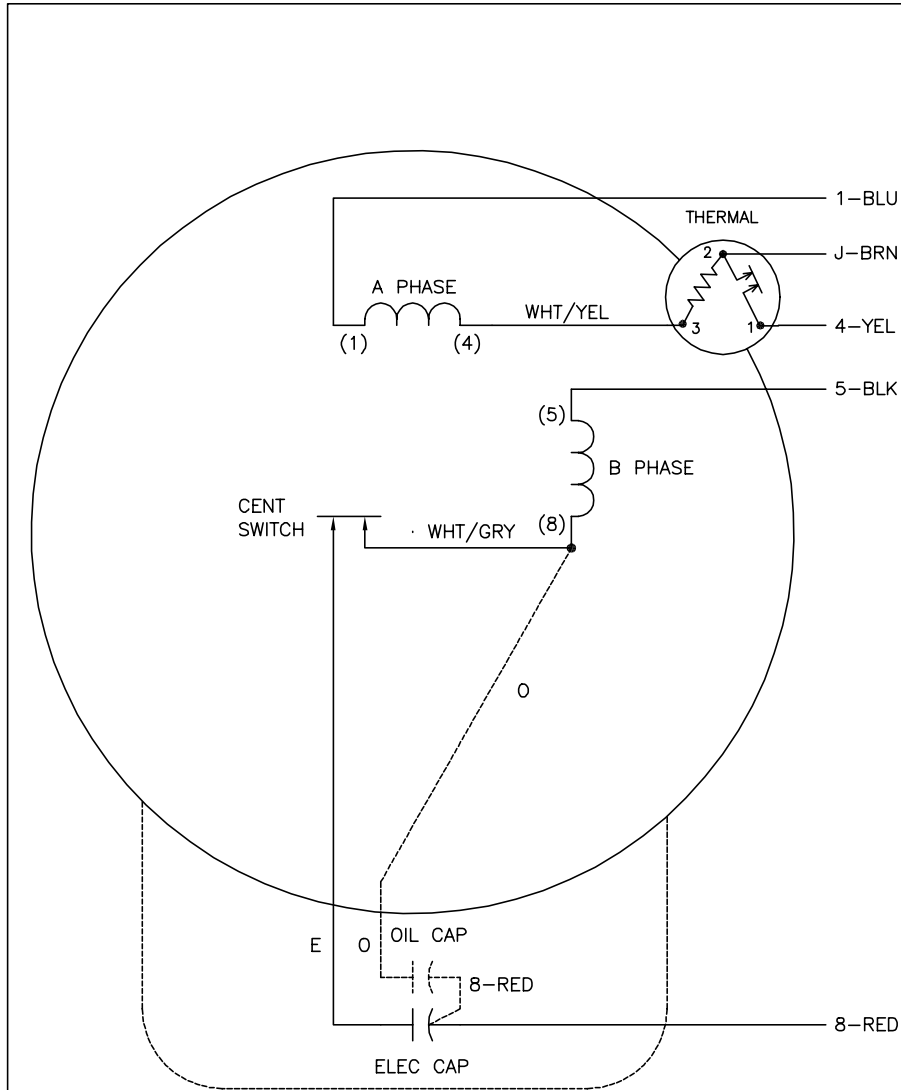
BALDOR • DODGE • RELIANCE

HORZ 182-4T TEFC 36LC W/ TYPE LE MTO (FARM DUTY),TORQ SWITCH

SH 1 of 1

36LYM950

CD0152



	LINE A	LINE B	JOIN
STD	1,8	4	J,5
OPP	1,5	4	J,8

NOTES:

1. STANDARD ROTATION IS CCW FACING END OPPOSITE SHAFT EXTENSION.
2. MULTIPLE CAPACITORS ARE CONNECTED IN PARALLEL UNLESS OTHERWISE SPECIFIED.
3. OPTIONAL OIL CAPACITOR IS PROVIDED WHEN SPECIFIED.
4. CAPACITORS MAY BE SEPERATELY MOUNTED.
5. LEAD COLORS ARE OPTIONAL. LEADS MUST ALWAYS BE NUMBERED AS SHOWN.

REV. DESC: REMOVE OPTIONAL THERMAL CONNECTION		
REV. LTR: D	VERSION: 01	TDR: 000000373039
ZS1000	FILE: \AAA\00026\903	REVISED: 11:23:45 08/11/2005
	MTL: -	BY: ENJOEPO

BALDOR ELECTRIC Co.

TYPE L OR LC, SV, REV, 5 LDS, THERM, CAPS MAY BE SEP MTD

CD0152