

BALDOR® • ***RELIANCE***

Product Information Packet

EM4400T-12

100HP,1775RPM,3PH,60HZ,405T,TEFC

Copyright © All product information within this document is subject to Baldor Electric Company copyright © protection, unless otherwise noted.

Part Detail							
Revision:	E	Status:	PRD/A	Change #:		Proprietary:	No
Type:	AC	Prod. Type:	A40064M	Elec. Spec:	A40WG0690	CD Diagram:	
Enclosure:	TEFC	Mfg Plant:		Mech. Spec:		Layout:	
Frame:	405T	Mounting:	F1	Poles:	04	Created Date:	12-17-2010
Base:		Rotation:	R	Insulation:	B	Eff. Date:	06-20-2012
Leads:	12#4	Literature:		Elec. Diagram:		Replaced By:	

Nameplate NP2383L									
CAT.NO.	EM4400T-12	SPEC NO.	P40G4564						
HP	100	AMPS	224/112	VOLTS	230/460	DESIGN	B		
FRAME	405T	RPM	1785	HZ	60	AMB	40	SF	1.15
DRIVE END BEARING	80BC03J30X	PHASE	3	DUTY	CONT	INSUL.CLASS	F		
OPP D.E. BEARING	80BC03J30X	TYPE	P	ENCL	TEFC	CODE	G		
SER.NO.		POWER FACTOR	87	NEMA-NOM-EFFICIENCY	95.4				
		MAX CORR KVAR	18.0	GUARANTEED EFFICIENCY	95.0				
NEMA NOM/CSA QUOTED EFF									
		MOTOR WEIGHT							

Parts List		
Part Number	Description	Quantity
SA213590	SA P40G4564	1.000 EA
RA200810	RA P40G4564	1.000 EA
421948038R	LABEL, MYLAR	1.000 EA
613-6PU	N/P (RELEASE QTY 10,000)	1.000 EA
000692000VD	N/P (REL QTY 4000)	1.000 EA
NP2383L	SUPER-E ,SS, CC, CSA-C US, CSA EEV	1.000 EA
089412051B	BRKT 400 089412051WCD KB	1.000 EA
415072001B	CLAMP	1.000 EA
083198006A	FANCV-PLASTIC400 KB@45	1.000 EA
034180012DA	KEY 1X4X1/4X1-1/2 L	1.000 EA
078548001R	FAN KB 234/150 (84) 400	1.000 EA
004824015A	GREASE POLYREX EM	0.880 LB
032018016EK	HHCS 5/8-11X2 PLATED	4.000 EA
032018010CK	HHCS 3/8-16X1-1/4 PLTD.	4.000 EA
032018030CK	HHCS 3/8-16X3-3/4 PLATED	3.000 EA
415096002A	CPLG 1/8 HEX TYPE	1.000 EA
410700000DA	WAVY SPRING WASHER (400)	1.000 EA
035000001G	GITS GRS CUP,ODE	1.000 EA
034000014AB	WSH ID.406 OD.812 TH.065	4.000 EA
034530060AB	P/NIP 1/8X7-1/2 GALV.	1.000 EA
034690001AB	SQHDPLG, COND	1.000 EA
034600001AA	BUSH 1/4TO1/8 BLACK	1.000 EA
034690001AB	SQHDPLG, COND	1.000 EA
034600001AA	BUSH 1/4TO1/8 BLACK	1.000 EA

Parts List (continued)		
Part Number	Description	Quantity
089412051A	BRKT 400 089412051WCD KB	1.000 EA
032018016EK	HHCS 5/8-11X2 PLATED	4.000 EA
032018030CK	HHCS 3/8-16X3-3/4 PLATED	3.000 EA
035000001G	GITS GRS CUP,ODE	1.000 EA
077176000L	C/BOX, PAINTED 360-400	1.000 EA
077176001A	CBOXC, PAINTED 360-400	1.000 EA
043292000AJ	GASK 320-400	1.000 EA
402731001A	GASK 360-440	1.000 EA
418150003A	GREASE FITTING CAP	1.000 EA
MG1000Y03	WILKO 689.710 GOLD PAINT SUPER E	0.250 GA
033775004EA	DRSCR #6-1/4 304 S.S.	2.000 EA
032018005AK	HHCS 1/4-20X5/8 PLATED	4.000 EA
032018008CK	HHCS 3/8-16X1L PLATED	4.000 EA
035000001A	ALFTG 1/8" 1610-BL	1.000 EA
415000003D	T/LUG 897-777 KPA25/G16	1.000 EA
406099000A	PLUG - FAN COVER 320-440	1.000 EA
033512004LB	HHTTS 1/4-20X1/2 PLTD.	1.000 EA
035000001A	ALFTG 1/8" 1610-BL	1.000 EA
418150003A	GREASE FITTING CAP	1.000 EA
034180044JA	KEY 3/4X3/4X5-1/2 L	1.000 EA
LB1346	LABEL,SUPER-E GP(4X4)	1.000 EA
PK5004A02	WOOD BASE 40X32 STACK 2X4 RUNNER	1.000 EA

Accessories		
Part Number	Description	Multiplier
K40G2	C-FACE KIT FR400T 4/6/8POLE ONLY	A8
089412054B	D-FLANGE BRKT 400 089416055WCB	P1

REL. S.O.	FRAME	HP	TYPE	PHASE/HERTZ	RPM	VOLTS
	405T	100	P	3/60	1785	230/460
AMPS	DUTY	AMB °C/ INSUL.	S.F.	NEMA DESIGN	CODE LETTER	ENCL.
224/112	CONT	40/F	1.15	B	G	FOXE
E/S	ROTOR	TEST S.O.	TEST DATE	STATOR RES. @25 °C OHMS (BETWEEN LINES)		
496453	418142-33-RE	---	---	.0123/.0492		

PERFORMANCE

LOAD	HP	AMPERES	RPM	POWER FACTOR %	EFFICIENCY %
NO LOAD	0	28.6	1800	5.49	0
1/4	25.0	39.2	1796	64.3	93.0
2/4	50.0	59.5	1792	82.5	95.4
3/4	75.0	84.6	1788	86.7	95.7
4/4	100	112	1783	87.4	95.4
5/4	125	141	1778	87.3	94.9

SPEED TORQUE

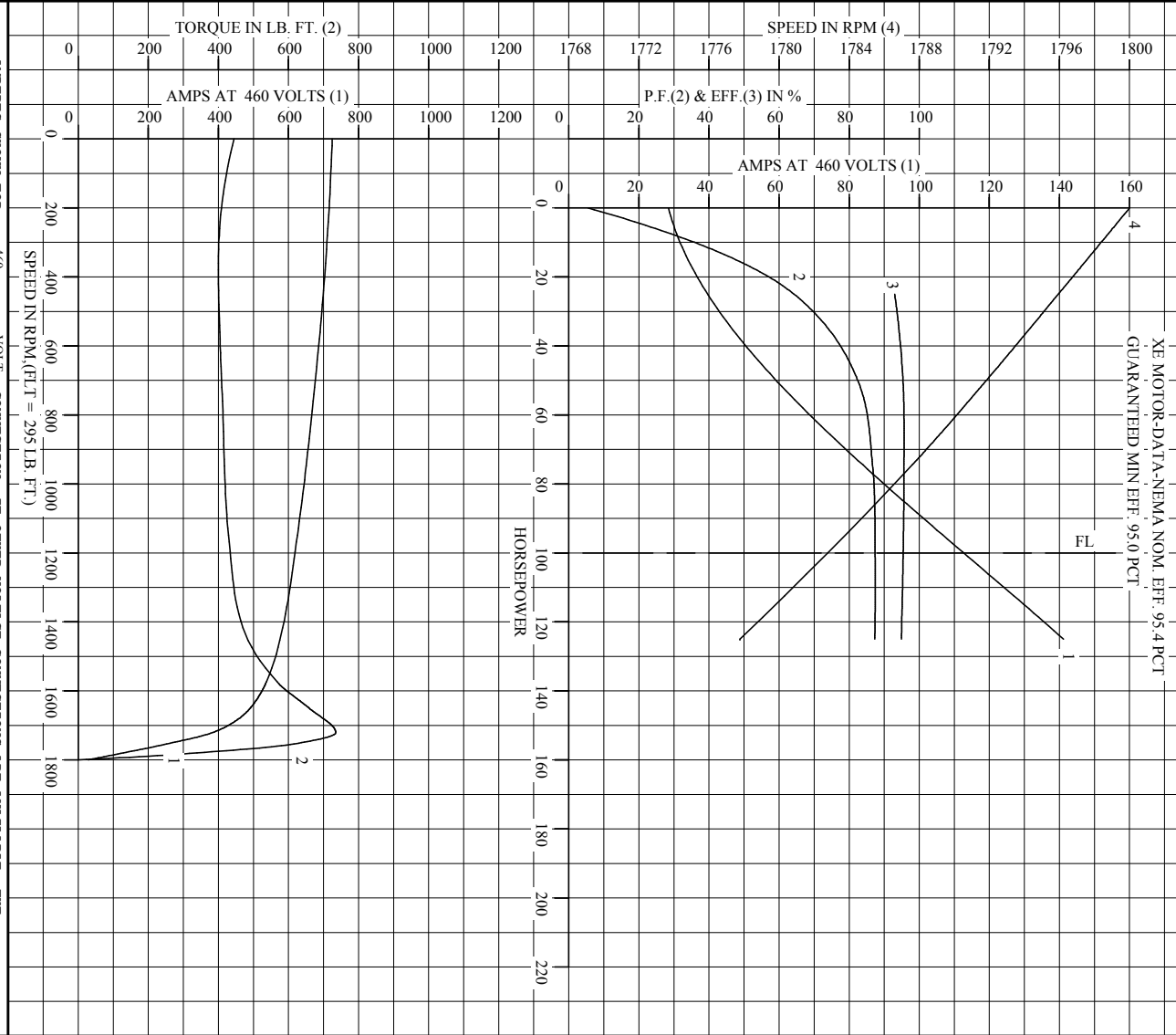
	RPM	TORQUE % FULL LOAD	TORQUE LB.-FT.	AMPERES
LOCKED ROTOR	0	151	445	725
PULL UP	360	136	400	706
BREAKDOWN	1721	250	735	382
FULL LOAD	1783	100	295	112

AMPERES SHOWN FOR 460. VOLT CONNECTION. IF OTHER VOLTAGE CONNECTIONS ARE AVAILABLE, THE AMPERES WILL VARY INVERSELY WITH THE RATED VOLTAGE

REMARKS: TYPICAL DATA
XE MOTOR-DATA-NEMA NOM. EFF. 95.4 PCT
GUARANTEED MIN EFF. 95.0 PCT

BALDOR	DR. BY R. I. STEPHENS	A-C MOTOR
	CK. BY K. W. KANOUFF	
	APP. BY K. W. KANOUFF	PERFORMANCE DATA
	DATE 06/07/96	ISSUE DATE 06/07/96

REL. S.O. _____ RPM 1785 S.F. 1.15 ROTOR 418142-33-RE
 FRAME 405T VOLTS 230/460 NEMA DESIGN B TEST S.O. TYPICAL DATA
 HP 100 AMPS 224/112 CODE LETTER G TEST DATE ---
 TYPE P DUTY CONT ENCLOSURE FCXE STATOR RES. @ 25 °C .0123 / .0492
 PHASE/HERTZ 3/60 AMB °C/INSUL 40/F E/S 496453 OHMS (BETWEEN LINES)



AMPERES SHOWN FOR 460 VOLT CONNECTION, IF OTHER VOLTAGE CONNECTIONS ARE AVAILABLE, THE AMPERES WILL VARY INVERSELY WITH THE RATED VOLTAGE.

BALDOR

DR. BY R.L. STEPHENS
 CK. BY K.W. KANOUFF
 App. BY K.W. KANOUFF
 DATE 06/07/96

A-C MOTOR PERFORMANCE CURVES A40W/G0690-R001
 ISSUE DATE 06/07/96

Printed on 2/2/11 11:22 @ usmghengdev1

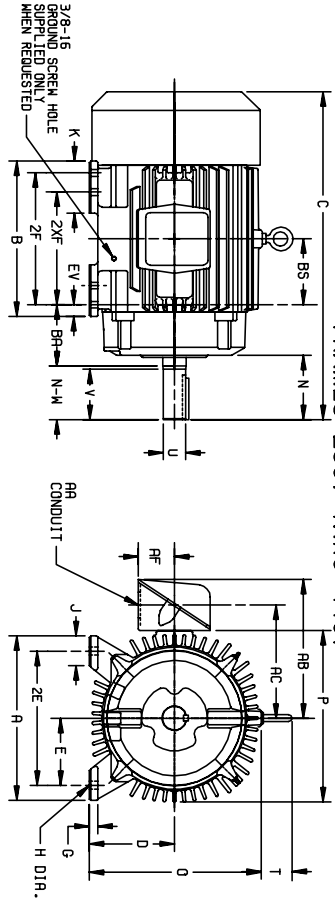
611740-001-SH1

DUTY MASTER ALTERNATING CURRENT MOTORS
SQUIRREL-CAGE INDUCTION

ENCLOSURE: TOTALLY ENCLOSED
MOUNTING: FOOT

FRAMES 250T THRU 440T

COOLING: FAN COOLED



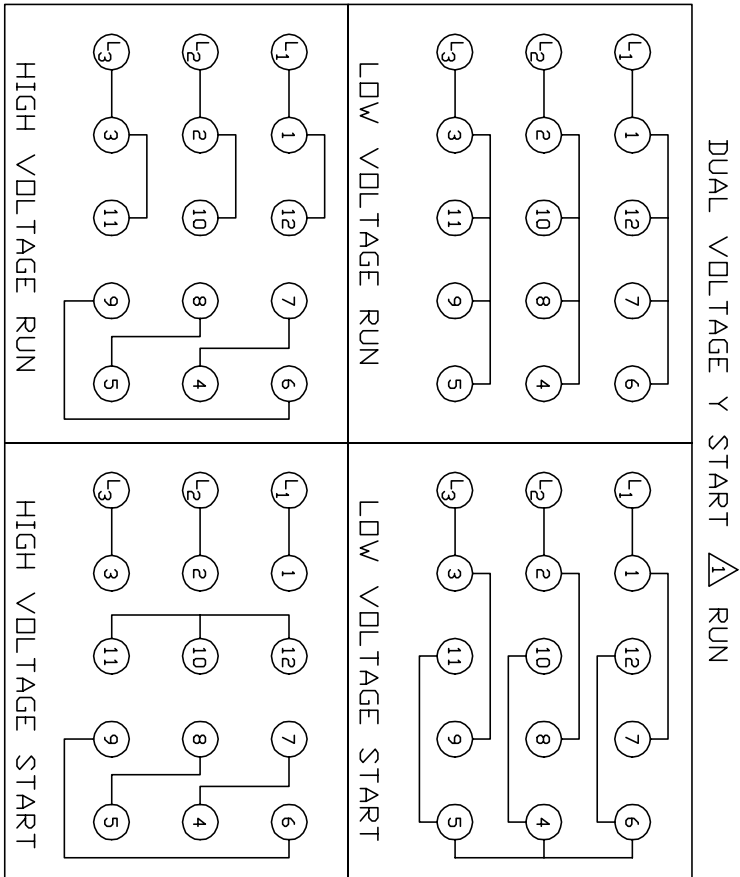
DIMENSIONS ARE IN INCHES; SEE SHEET 2 FOR DIMENSIONS IN MILLIMETERS

FRAME	A	D(2)	E	G	H	J	K	O	P	T	STEEL TERMINAL BOX			BA	EA	EV
SIZE	C	BS	B	2F	2XF	N	N-W(6)	U(3)	V	SQ.	LGTH.	IBS. (5)	WT.	WT.	WT.	WT.
254T-256T	12.50	6.25	5.00	7.5	1.56	2.50	---	1.325	1.325	2.44	1-1/4	10.25	8.75	2.50	4.25	1.00
264T-266T	13.75	7.00	5.60	10.00	---	4.12	4.00	1.625	3.75	2.88	3.75	2.88	3.75	2.88	3.75	1.00
284T	17.44	8.00	6.25	13.00	---	4.92	4.62	1.825	4.38	3.00	3.25	2.88	4.38	3.25	4.38	1.38
284T	17.44	8.00	6.25	13.00	---	3.50	3.25	1.825	4.38	3.75	3.75	1.88	4.38	3.75	4.38	1.38
284T	21.44	9.00	7.00	14.00	---	5.00	4.62	1.875	4.95	3.00	3.25	2.88	4.50	3.25	4.50	1.38
286T	26.06	10.00	7.50	16.00	---	5.00	4.62	1.875	4.95	3.00	3.75	3.00	4.50	3.75	4.50	1.38
286T	26.06	10.00	7.50	16.00	---	3.62	3.25	1.875	4.95	3.00	3.00	3.00	4.50	3.00	4.50	1.38
324T	30.44	11.00	8.00	18.00	---	6.12	5.75	2.125	5.00	3.00	3.00	3.00	5.00	3.00	5.00	1.38
324T	30.44	11.00	8.00	18.00	---	4.12	3.75	1.875	3.50	3.50	3.50	3.50	5.00	3.50	5.00	1.38
324T	30.44	11.00	8.00	18.00	---	5.62	5.25	2.125	5.00	3.00	3.00	3.00	5.00	3.00	5.00	1.38
326T	28.94	10.00	7.50	16.00	---	4.12	3.75	1.875	3.50	3.50	3.50	3.50	5.00	3.50	5.00	1.38
326T	28.94	10.00	7.50	16.00	---	6.12	5.75	2.125	5.00	3.00	3.00	3.00	5.00	3.00	5.00	1.38
364T	31.31	11.25	8.50	20.00	---	6.12	5.75	2.125	5.00	3.00	3.00	3.00	5.00	3.00	5.00	1.38
364T	31.31	11.25	8.50	20.00	---	4.12	3.75	1.875	3.50	3.50	3.50	3.50	5.00	3.50	5.00	1.38
364T	31.31	11.25	8.50	20.00	---	6.12	5.75	2.125	5.00	3.00	3.00	3.00	5.00	3.00	5.00	1.38
364T	31.31	11.25	8.50	20.00	---	4.12	3.75	1.875	3.50	3.50	3.50	3.50	5.00	3.50	5.00	1.38
364T	31.31	11.25	8.50	20.00	---	6.12	5.75	2.125	5.00	3.00	3.00	3.00	5.00	3.00	5.00	1.38
364T	31.31	11.25	8.50	20.00	---	4.12	3.75	1.875	3.50	3.50	3.50	3.50	5.00	3.50	5.00	1.38
364T	31.31	11.25	8.50	20.00	---	6.12	5.75	2.125	5.00	3.00	3.00	3.00	5.00	3.00	5.00	1.38
364T	31.31	11.25	8.50	20.00	---	4.12	3.75	1.875	3.50	3.50	3.50	3.50	5.00	3.50	5.00	1.38
364T	31.31	11.25	8.50	20.00	---	6.12	5.75	2.125	5.00	3.00	3.00	3.00	5.00	3.00	5.00	1.38
364T	31.31	11.25	8.50	20.00	---	4.12	3.75	1.875	3.50	3.50	3.50	3.50	5.00	3.50	5.00	1.38
364T	31.31	11.25	8.50	20.00	---	6.12	5.75	2.125	5.00	3.00	3.00	3.00	5.00	3.00	5.00	1.38
364T	31.31	11.25	8.50	20.00	---	4.12	3.75	1.875	3.50	3.50	3.50	3.50	5.00	3.50	5.00	1.38
364T	31.31	11.25	8.50	20.00	---	6.12	5.75	2.125	5.00	3.00	3.00	3.00	5.00	3.00	5.00	1.38
364T	31.31	11.25	8.50	20.00	---	4.12	3.75	1.875	3.50	3.50	3.50	3.50	5.00	3.50	5.00	1.38
364T	31.31	11.25	8.50	20.00	---	6.12	5.75	2.125	5.00	3.00	3.00	3.00	5.00	3.00	5.00	1.38
364T	31.31	11.25	8.50	20.00	---	4.12	3.75	1.875	3.50	3.50	3.50	3.50	5.00	3.50	5.00	1.38
364T	31.31	11.25	8.50	20.00	---	6.12	5.75	2.125	5.00	3.00	3.00	3.00	5.00	3.00	5.00	1.38
364T	31.31	11.25	8.50	20.00	---	4.12	3.75	1.875	3.50	3.50	3.50	3.50	5.00	3.50	5.00	1.38
364T	31.31	11.25	8.50	20.00	---	6.12	5.75	2.125	5.00	3.00	3.00	3.00	5.00	3.00	5.00	1.38
364T	31.31	11.25	8.50	20.00	---	4.12	3.75	1.875	3.50	3.50	3.50	3.50	5.00	3.50	5.00	1.38
364T	31.31	11.25	8.50	20.00	---	6.12	5.75	2.125	5.00	3.00	3.00	3.00	5.00	3.00	5.00	1.38
364T	31.31	11.25	8.50	20.00	---	4.12	3.75	1.875	3.50	3.50	3.50	3.50	5.00	3.50	5.00	1.38
364T	31.31	11.25	8.50	20.00	---	6.12	5.75	2.125	5.00	3.00	3.00	3.00	5.00	3.00	5.00	1.38
364T	31.31	11.25	8.50	20.00	---	4.12	3.75	1.875	3.50	3.50	3.50	3.50	5.00	3.50	5.00	1.38
364T	31.31	11.25	8.50	20.00	---	6.12	5.75	2.125	5.00	3.00	3.00	3.00	5.00	3.00	5.00	1.38
364T	31.31	11.25	8.50	20.00	---	4.12	3.75	1.875	3.50	3.50	3.50	3.50	5.00	3.50	5.00	1.38
364T	31.31	11.25	8.50	20.00	---	6.12	5.75	2.125	5.00	3.00	3.00	3.00	5.00	3.00	5.00	1.38
364T	31.31	11.25	8.50	20.00	---	4.12	3.75	1.875	3.50	3.50	3.50	3.50	5.00	3.50	5.00	1.38
364T	31.31	11.25	8.50	20.00	---	6.12	5.75	2.125	5.00	3.00	3.00	3.00	5.00	3.00	5.00	1.38
364T	31.31	11.25	8.50	20.00	---	4.12	3.75	1.875	3.50	3.50	3.50	3.50	5.00	3.50	5.00	1.38
364T	31.31	11.25	8.50	20.00	---	6.12	5.75	2.125	5.00	3.00	3.00	3.00	5.00	3.00	5.00	1.38
364T	31.31	11.25	8.50	20.00	---	4.12	3.75	1.875	3.50	3.50	3.50	3.50	5.00	3.50	5.00	1.38
364T	31.31	11.25	8.50	20.00	---	6.12	5.75	2.125	5.00	3.00	3.00	3.00	5.00	3.00	5.00	1.38
364T	31.31	11.25	8.50	20.00	---	4.12	3.75	1.875	3.50	3.50	3.50	3.50	5.00	3.50	5.00	1.38
364T	31.31	11.25	8.50	20.00	---	6.12	5.75	2.125	5.00	3.00	3.00	3.00	5.00	3.00	5.00	1.38
364T	31.31	11.25	8.50	20.00	---	4.12	3.75	1.875	3.50	3.50	3.50	3.50	5.00	3.50	5.00	1.38
364T	31.31	11.25	8.50	20.00	---	6.12	5.75	2.125	5.00	3.00	3.00	3.00	5.00	3.00	5.00	1.38
364T	31.31	11.25	8.50	20.00	---	4.12	3.75	1.875	3.50	3.50	3.50	3.50	5.00	3.50	5.00	1.38
364T	31.31	11.25	8.50	20.00	---	6.12	5.75	2.125	5.00	3.00	3.00	3.00	5.00	3.00	5.00	1.38
364T	31.31	11.25	8.50	20.00	---	4.12	3.75	1.875	3.50	3.50	3.50	3.50	5.00	3.50	5.00	1.38
364T	31.31	11.25	8.50	20.00	---	6.12	5.75	2.125	5.00	3.00	3.00	3.00	5.00	3.00	5.00	1.38
364T	31.31	11.25	8.50	20.00	---	4.12	3.75	1.875	3.50	3.50	3.50	3.50	5.00	3.50	5.00	1.38
364T	31.31	11.25	8.50	20.00	---	6.12	5.75	2.125	5.00	3.00	3.00	3.00	5.00	3.00	5.00	1.38
364T	31.31	11.25	8.50	20.00	---	4.12	3.75	1.875	3.50	3.50	3.50	3.50	5.00	3.50	5.00	1.38
364T	31.31	11.25	8.50	20.00	---	6.12	5.75	2.125	5.00	3.00	3.00	3.00	5.00	3.00	5.00	1.38
364T	31.31	11.25	8.50	20.00	---	4.12	3.75	1.875	3.50	3.50	3.50	3.50	5.00	3.50	5.00	1.38
364T	31.31	11.25	8.50	20.00	---	6.12	5.75	2.125	5.00	3.00	3.00	3.00	5.00	3.00	5.00	1.38
364T	31.31	11.25	8.50	20.00	---	4.12	3.75	1.875	3.50	3.50	3.50	3.50	5.00	3.50	5.00	1.38
364T	31.31	11.25	8.50	20.00	---	6.12	5.75	2.125	5.00	3.00	3.00	3.00	5.00	3.00	5.00	1.38
364T	31.31	11.25	8.50	20.00	---	4.12	3.75	1.875	3.50	3.50	3.50	3.50	5.00	3.50	5.00	1.38
364T	31.31	11.25	8.50	20.00	---	6.12	5.75	2.125	5.00	3.00	3.00	3.00	5.00	3.00	5.00	1.38
364T	31.31	11.25	8.50	20.00	---	4.12	3.75	1.875	3.50	3.50	3.50	3.50	5.00	3.50	5.00	1.38
364T	31.31	11.25	8.50	20.00	---	6.12	5.75	2.125	5.00	3.00	3.00	3.00	5.00	3.00	5.00	1.38
364T	31.31	11.25	8.50	20.												

416820-020

A-C MOTOR
CONNECTION DIAGRAM

416820-020



<410961-39/ 1575-AC>

CUSTOMER _____ CUSTOMER ORDER NO. _____ S. D. NO. _____

REV. DESC: LOADED TO BUS			
REV. LTR: A	VERSION: 01	TDR: 000000553773	
FILE: \RAG\00011\270		REVISED: 01:15:19 08/12/2010	
MTL: -	BY: RAGMTC		

BALDOR

A-C MOTOR CONNECTION DIAGRAM

SH 1 of 1