

# **BALDOR**® • *RELIANCE*

## Product Information Packet

# EM3615T-5

5HP,1750RPM,3PH,60HZ,184T,3642M,TEFC,F1

Copyright © All product information within this document is subject to Baldor Electric Company copyright © protection, unless otherwise noted.

Part Detail							
Revision:	A	Status:	PRD/A	Change #:		Proprietary:	No
Type:	AC	Prod. Type:	3642M	Elec. Spec:	36WGS551	CD Diagram:	
Enclosure:	TEFC	Mfg Plant:		Mech. Spec:	36G271	Layout:	
Frame:	184T	Mounting:	F1	Poles:	04	Created Date:	07-30-2010
Base:	RG	Rotation:	R	Insulation:	F	Eff. Date:	10-03-2011
Leads:	3#16	Literature:		Elec. Diagram:		Replaced By:	

Nameplate NP1259L									
CAT.NO.	EM3615T-5								
SPEC.	36G271S551G1								
HP	5								
VOLTS	575								
AMP	5.3								
RPM	1750								
FRAME	184T	HZ			60	PH	3		
SER.F.	1.15	CODE			J	DES	B	CL	F
NEMA-NOM-EFF	89.5	PF			78				
RATING	40C AMB-CONT								
CC	010A	USABLE AT 208V							
DE	6206	ODE			6205				
ENCL	TEFC	SN							

Parts List		
Part Number	Description	Quantity
SA200845	SA 36G271S551G1	1.000 EA
RA188156	RA 36G271S551G1	1.000 EA
36FN3000C01SP	EXFN, PLASTIC, 5.25 OD, .912 ID	1.000 EA
S/P107-000-001	SUPER E PROC'S-FS & WS PLTS-POLYREX EM G	1.000 EA
36CB3004	36 CB CASTING W/1.09 DIA LEAD HOLE @ 6:0	1.000 EA
36GS1000SP	GASKET-CONDUIT BOX, .06 THICK #SV-330 LE	1.000 EA
51XB1016A08	10-16X 1/2HXWSSLD SERTYB	2.000 EA
11XW1032G06	10-32 X .38, TAPTITE II, HEX WSHR SLTD U	1.000 EA
36EP3104A01	FREP MACH W/GRSR, RAISED FH PADS	1.000 EA
HW4500A01	1641B(ALEMITE)400 UNIV, GREASE FITT	1.000 EA
HW5100A05	WVY WSHR F/205 & 304 BRGS	1.000 EA
36EP3100A01SP	PU ENDPLATE, MACH	1.000 EA
HW4500A01	1641B(ALEMITE)400 UNIV, GREASE FITT	1.000 EA
XY2520A12	1/4-20 HEX NUT, DIRECTIONAL SERRATIONS	4.000 EA
36FH4009A102SP	IEC FH GREASER W/AUTOPHERETIC PRIMER	1.000 EA
51XW1032A06	10-32 X .38, TAPTITE II, HEX WSHR SLTD S	3.000 EA
36CB4516	36 LIPPED CB LID	1.000 EA
37GS1001SP	GASKET, CONDUIT BOX LID, .06 THICK LEXID	1.000 EA
51XW0832A07	8-32 X .44, TAPTITE II, HEX WSHR SLTD SE	4.000 EA
HW2501E16	3KEY, 1/4 SQ X 1.750	1.000 EA
HA7000A02	KEY RETAINER RING, 1 1/8 DIA, 1 3/8 DIA	1.000 EA
85XU0407S04	4X1/4 U DRIVE PIN STAINLESS	2.000 EA
HW3200A01	3/8-16X3/4 I-BLT WELDED F/S	1.000 EA
MJ1000A75	GREASE, POLYREX EM EXXON	0.050 LB

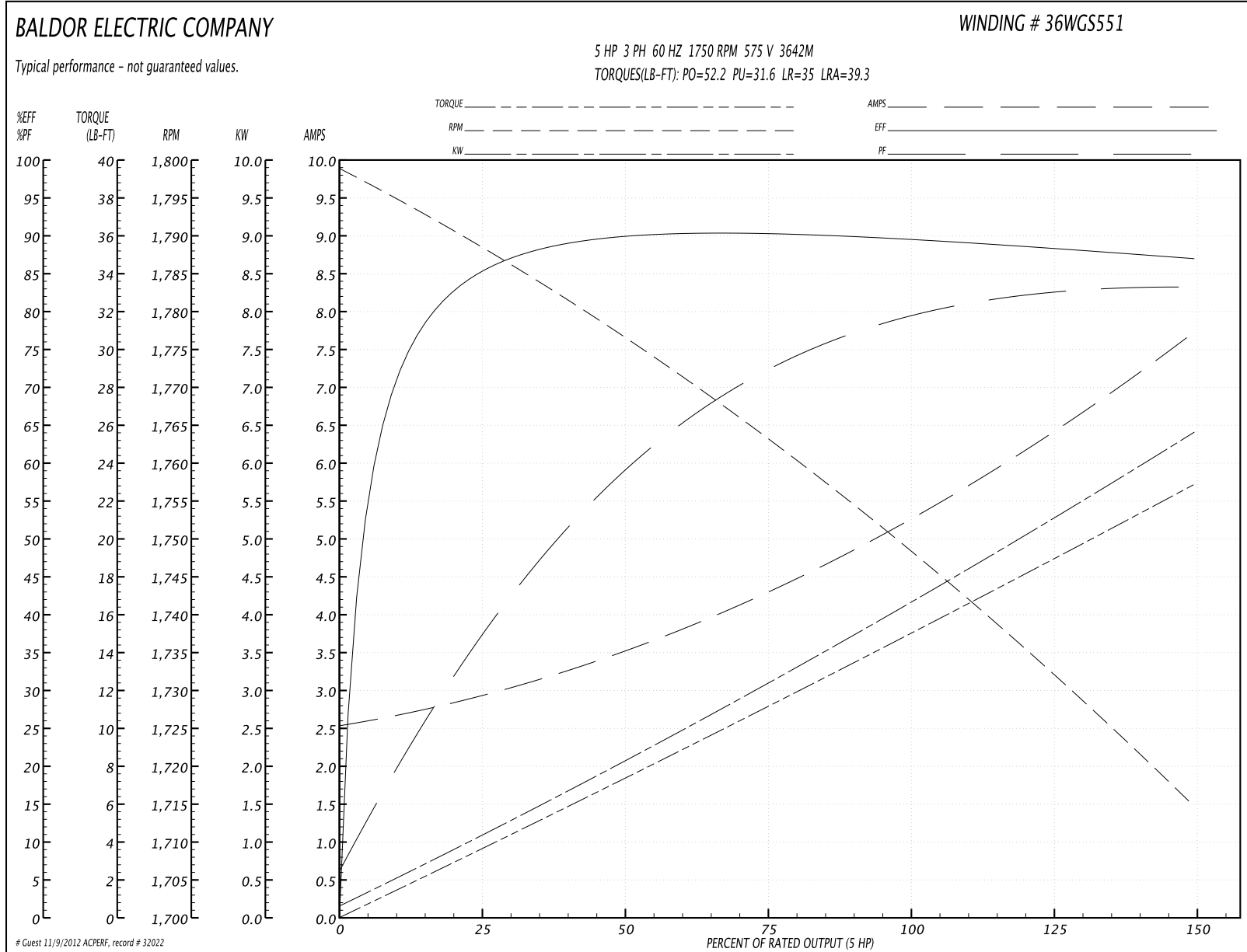
Parts List (continued)		
Part Number	Description	Quantity
51XB1214A16	12-14X1.00 HXWSSLD SERTYB	1.000 EA
MG1000Y03	WILKO 689.710 GOLD PAINT SUPER E	0.022 GA
LB1115	LABEL,LIFTING DEVICE	1.000 EA
HA3101A28	THRUBOLT 1/4-20 X 12.500 OHIO ROD	4.000 EA
LB1119	WARNING LABEL	1.000 EA
LB1125C02	SUPER-E (STOCK CTN LABEL SUPER-E WITH FL	1.000 EA
LC0006	CONNECTION LABEL	1.000 EA
LB1357	ENERGY GUIDE LABEL (BOX LABEL)	1.000 SH
NP1259L	ALUM SUPER-E UL CSA-EEV CC NEMA PREMIUM	1.000 EA
36PA1001	PACKAGING GROUP	1.000 EA

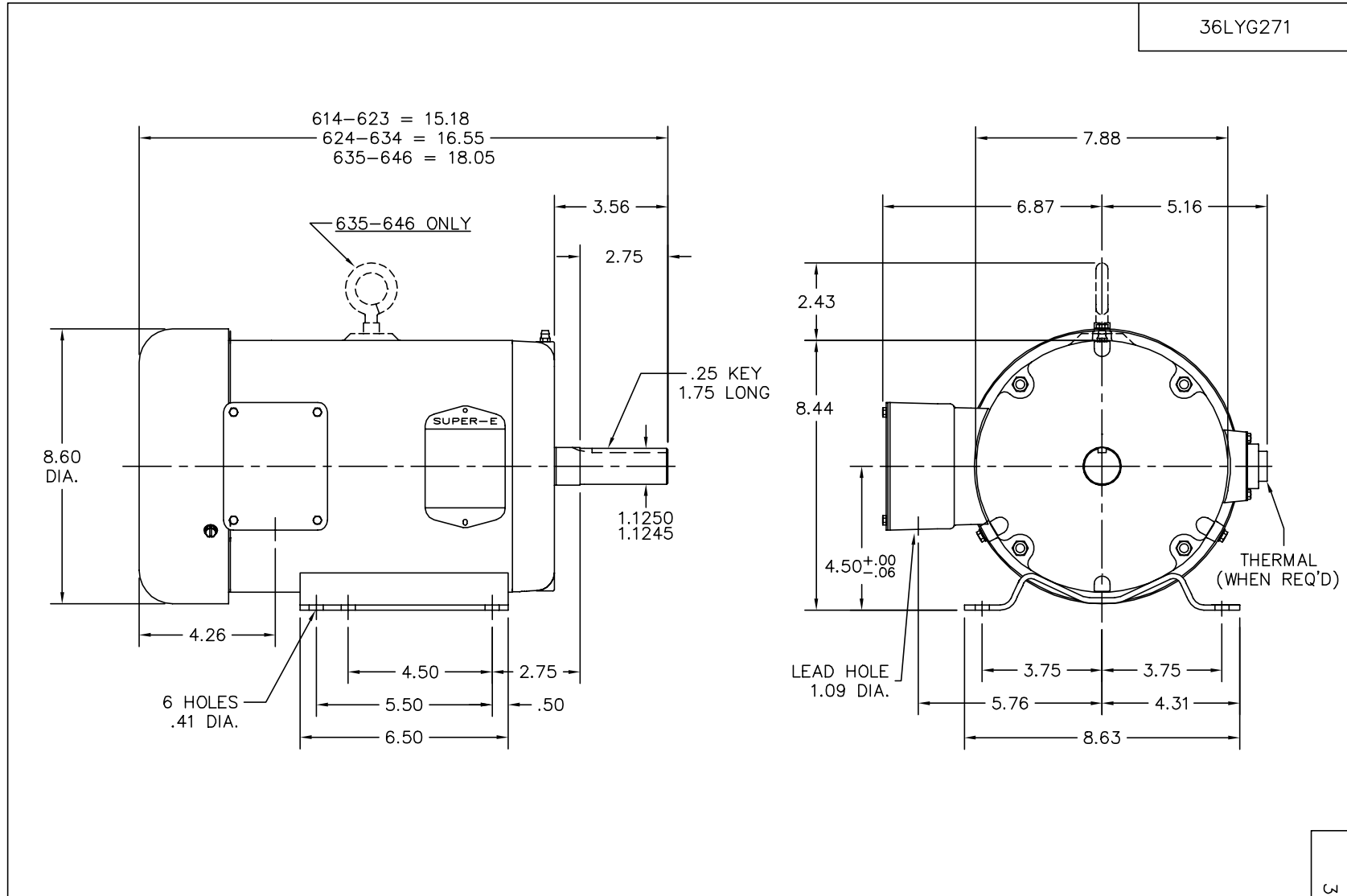
Accessories		
Part Number	Description	Multiplier
36-3301	C FACE KIT	A8
36EP1304A62SP	FLANGE MTD ENDPLATE 182-4TD -ENCL (LESS	A8

**Performance Data at 575V, 60Hz, 5.0HP (Typical performance - Not guaranteed values)**

General Characteristics							
Full Load Torque:	14.9 LB-FT			Start Configuration:	DOL		
No-Load Current:	2.6 Amps			Break-Down Torque:	52.2 LB-FT		
Line-line Res. @ 25°C.:	3.57 Ohms A Ph / 0.0 Ohms B Ph			Pull-Up Torque:	31.6 LB-FT		
Temp. Rise @ Rated Load:	77 C			Locked-Rotor Torque:	35.0 LB-FT		
Temp. Rise @ S.F. Load:	94 C			Starting Current:	39.3 Amps		
Load Characteristics							
% of Rated Load	25	50	75	100	125	150	S.F.
Power Factor:	38.0	60.0	72.0	78.0	83.0	83.0	81.0
Efficiency:	84.8	89.6	90.5	89.5	88.5	86.9	88.9
Speed:	1789.0	1776.0	1762.0	1750.0	1733.0	1714.0	1740.0
Line Amperes:	2.85	3.45	4.35	5.33	6.36	7.72	5.95

Performance Graph at 575V, 60Hz, 5.0HP Typical performance - Not guaranteed values





CUSTOMER IS RESPONSIBLE FOR DETERMINING THAT MOTOR PERFORMANCE IS SUITABLE IN THE APPLICATION.

REV. DESC: FREEZE LINES SHOWING THROUGH CAPACITOR/KO BOX

REV. LTR: H	VERSION: 04	TDR: 000000384004
1Z9A79Z	FILE: \AAA\00003\771	REVISED: 16:52:27 12/22/2005
	MTL: -	BY: ENCHRCO

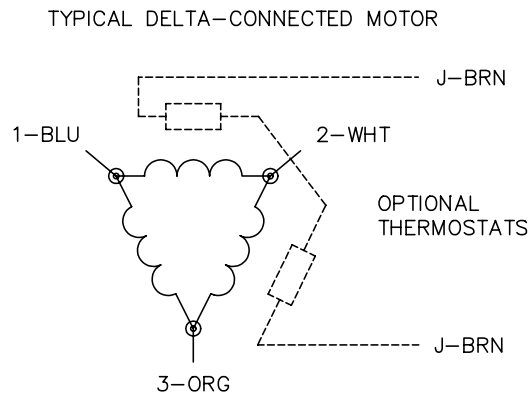
**BALDOR ELECTRIC Co.**

STD HORZ 182-4T TEFC 36M SUPER-E

36LYG271



CD0006



NOTES:

1. THREE LEAD MOTOR MAY BE EITHER WYE CONNECTED OR DELTA CONNECTED.
2. INTERCHANGE ANY TWO LINE LEADS TO REVERSE ROTATION.
3. OPTIONAL THERMOSTATS ARE PROVIDED WHEN SPECIFIED.
4. ACTUAL NUMBER OF INTERNAL PARALLEL CIRCUITS MAY VARY.
5. LEAD COLORS ARE OPTIONAL. LEADS MUST BE NUMBERED AS SHOWN.

REV. DESC: REVISE TO SHOW OPTIONAL COLORS			
REV. LTR: D	BY: JLP	REVISED: 01/21/99 4:02	TDR: 0171435
9000D		FILE: AAA00005141	MDL: -
		MTL: -	

**BALDOR ELECTRIC Co.**

3PH, SV, 3 LEADS, WYE OR DELTA CONNECTED

CD0006