

# **BALDOR**® • *RELIANCE*

## **Product Information Packet**

# **EM2540T**

**40HP, 1180RPM, 3PH, 60HZ, 364T, 4278M, OPSB, F1**

Copyright © All product information within this document is subject to Baldor Electric Company copyright © protection, unless otherwise noted.

| Part Detail |      |             |       |                |          |               |            |
|-------------|------|-------------|-------|----------------|----------|---------------|------------|
| Revision:   | B    | Status:     | PRD/A | Change #:      |          | Proprietary:  | No         |
| Type:       | AC   | Prod. Type: | 4278M | Elec. Spec:    | 42WGW920 | CD Diagram:   |            |
| Enclosure:  | OPSB | Mfg Plant:  |       | Mech. Spec:    | 42H047   | Layout:       |            |
| Frame:      | 364T | Mounting:   | F1    | Poles:         | 06       | Created Date: | 06-24-2011 |
| Base:       | RG   | Rotation:   | R     | Insulation:    | F        | Eff. Date:    | 12-10-2011 |
| Leads:      | 9#8  | Literature: |       | Elec. Diagram: |          | Replaced By:  |            |

| Nameplate NP2138L |              |                |            |                         |      |        |      |
|-------------------|--------------|----------------|------------|-------------------------|------|--------|------|
| CAT.NO.           | EM2540T      | P/N            |            | ENCLOSURE               | OPSB |        |      |
| SPEC.             | 42H047W920G1 | CC             | 010A       | FRAME                   | 364T | S/N    |      |
| HP                | 40           | CLASS          | F          | HZ                      | 60   |        |      |
| RPM               | 1180         | PH             | 3          | DES                     | A    |        |      |
| VOLT              | 230/460      | KVA-CODE       | H          | ODE BRG                 | 6311 | DE BRG | 6313 |
| AMP               | 104/51       | USABLE AT 208V | 110        |                         |      |        |      |
| RATING            | 40C AMB-CONT | GREASE         | POLYREX EM |                         |      |        |      |
| NEMA-NOM-EFF      | 94.1         | PF             | 79         | SER.F.                  | 1.15 |        |      |
|                   |              |                |            |                         |      |        |      |
| HTR-VOLTS         |              | HTR-AMPS       |            | MAX. SPACE HEATER TEMP. |      |        |      |

| Parts List     |  |          |
|----------------|--|----------|
| Part Number    | Description                              | Quantity |
| SA225904       | SA 42H047W920G1                          | 1.000 EA |
| RA213008       | RA 42H047W920G1                          | 1.000 EA |
| S/P107-000-004 | SUPER-E(284 FR. & UP)-CL PLANT,POLYREX E | 1.000 EA |
| HA6360         | LIFTING LUG FOR 42 FRAME MOTORS.         | 2.000 EA |
| HA6017A01      | CAST ADAPTOR                             | 1.000 EA |
| 19XW3118A12    | .31-18 X .75 HEX WASHER HEAD TAPTITE II  | 2.000 EA |
| HW1001A31      | LOCKWASHER 5/16, ZINC PLT.591 OD, .319 I | 2.000 EA |
| 10CB3001       | CONDUIT BOX CAST W/2.500 LEAD HOLE       | 1.000 EA |
| 19XW3118A12    | .31-18 X .75 HEX WASHER HEAD TAPTITE II  | 4.000 EA |
| HW1001A31      | LOCKWASHER 5/16, ZINC PLT.591 OD, .319 I | 4.000 EA |
| WD1000B16      | KPA-4C BURNDY TERMINAL                   | 1.000 EA |
| 51XF2520A08    | SCREW, HEX SER SLT HD, ZN 1/4-20 X .50 L | 1.000 EA |
| 42EP3200A01    | FR ENDPLATE, MACH 324-6T                 | 1.000 EA |
| HA4051A00      | PLASTIC CAP FOR GREASE FITTING           | 1.000 EA |
| HW5100A13      | W4627-047 WVY WSHER                      | 1.000 EA |
| 10XN3816K44    | 3/8-16 X 2.75 HEX HD CAP SCREW, GRADE 5  | 4.000 EA |
| HW1001A38      | LOCKWASHER 3/8, ZINC PLT .688 OD, .382 I | 4.000 EA |
| 42EP1202A01    | STD PU ENDPLATE MODEL 42 313 BRG.        | 1.000 EA |
| HA4051A00      | PLASTIC CAP FOR GREASE FITTING           | 1.000 EA |
| XY5013A12      | NUT,1/2-13,HEX,STEEL,ZINCPLATED          | 8.000 EA |
| 10CB3500SP     | CONDUIT BOX LID, CAST                    | 1.000 EA |
| 51XW2520A12    | .25-20 X .75, TAPTITE II, HEX WSHR SLTD  | 4.000 EA |
| HW2501J36      | KEY, 5/8 SQ X 4.250                      | 1.000 EA |
| LB1115         | LABEL,LIFTING DEVICE                     | 1.000 EA |

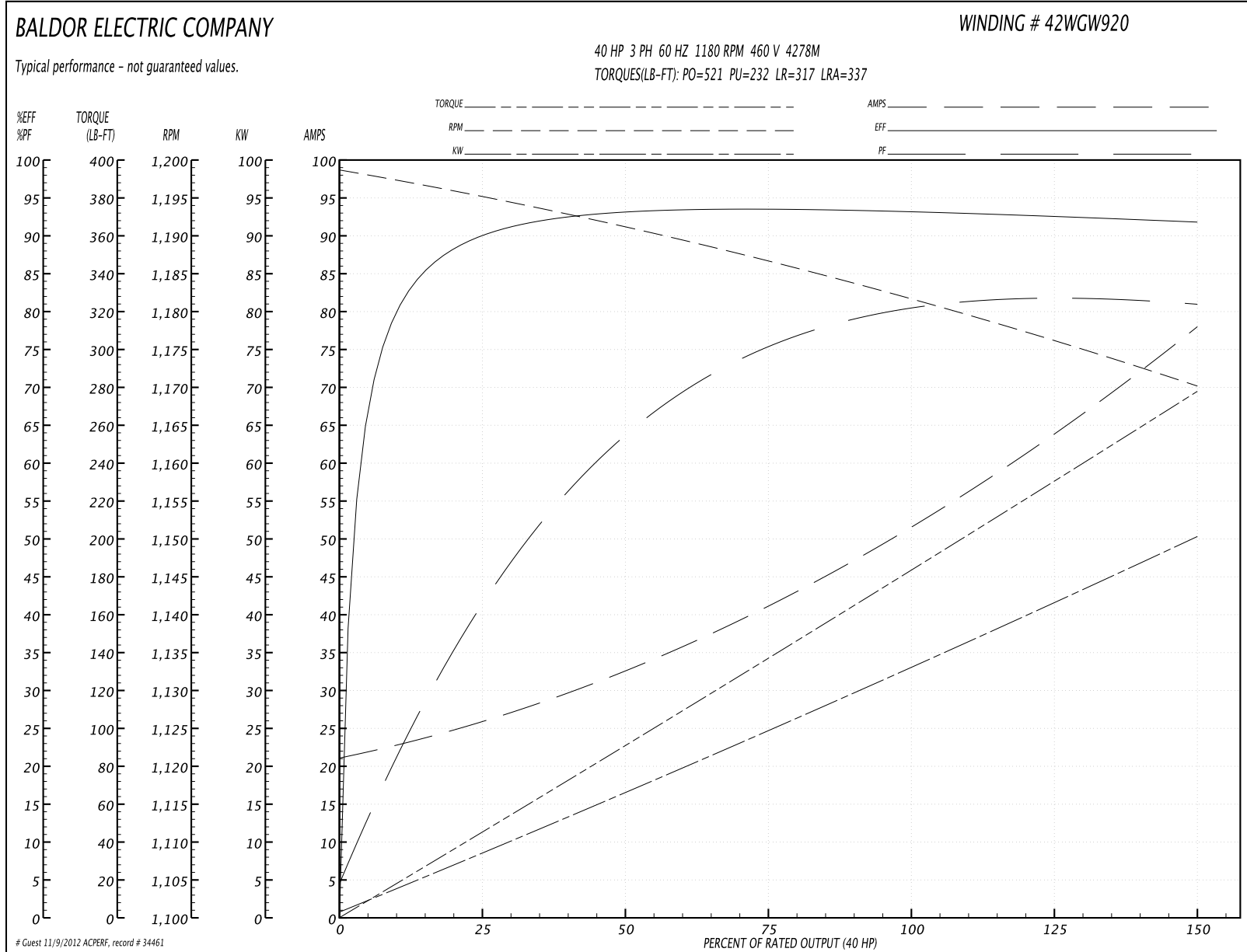
| Parts List (continued) |  |          |
|------------------------|--|----------|
| Part Number            | Description                              | Quantity |
| LB5040                 | INSTRUCTION TAG, AC & DC                 | 1.000 EA |
| 42AD2004A01            | BAFFLE PLATE 42 OPSB MTRS "X"=.04; "Y"=7 | 1.000 EA |
| HW4500A03              | GREASE FITTING, .125 NPT 1610(ALEMITE) 8 | 1.000 EA |
| HW4500A20              | 1/8NPT SL PIPE PLUG                      | 1.000 EA |
| MJ1000A75              | GREASE, POLYREX EM EXXON                 | 0.030 LB |
| 42AD2004A01            | BAFFLE PLATE 42 OPSB MTRS "X"=.04; "Y"=7 | 1.000 EA |
| HW4500A03              | GREASE FITTING, .125 NPT 1610(ALEMITE) 8 | 1.000 EA |
| HW4500A20              | 1/8NPT SL PIPE PLUG                      | 1.000 EA |
| HA3151A09              | THRUBOLT STUD 1/2-13 X 22.000            | 4.000 EA |
| MG1000Y03              | WILKO 689.710 GOLD PAINT SUPER E         | 0.080 GA |
| 85XU0407A04            | #4-7 X 1/4 DRIVE PIN                     | 4.000 EA |
| LB1119                 | WARNING LABEL                            | 1.000 EA |
| LB1125C02              | SUPER-E (STOCK CTN LABEL SUPER-E WITH FL | 4.000 EA |
| LB1357                 | ENERGY GUIDE LABEL (BOX LABEL)           | 1.000 SH |
| LC0005                 | CONN.DIA.,TY M,9-LD,DUAL VOLT,REVERSING  | 1.000 EA |
| NP2138L                | ALUM SUPER-E UL CSA-EEV PREM CC (300     | 1.000 EA |
| 42PA1000               | PACKAGING GROUP 42 FRAME PK1024A06       | 1.000 EA |

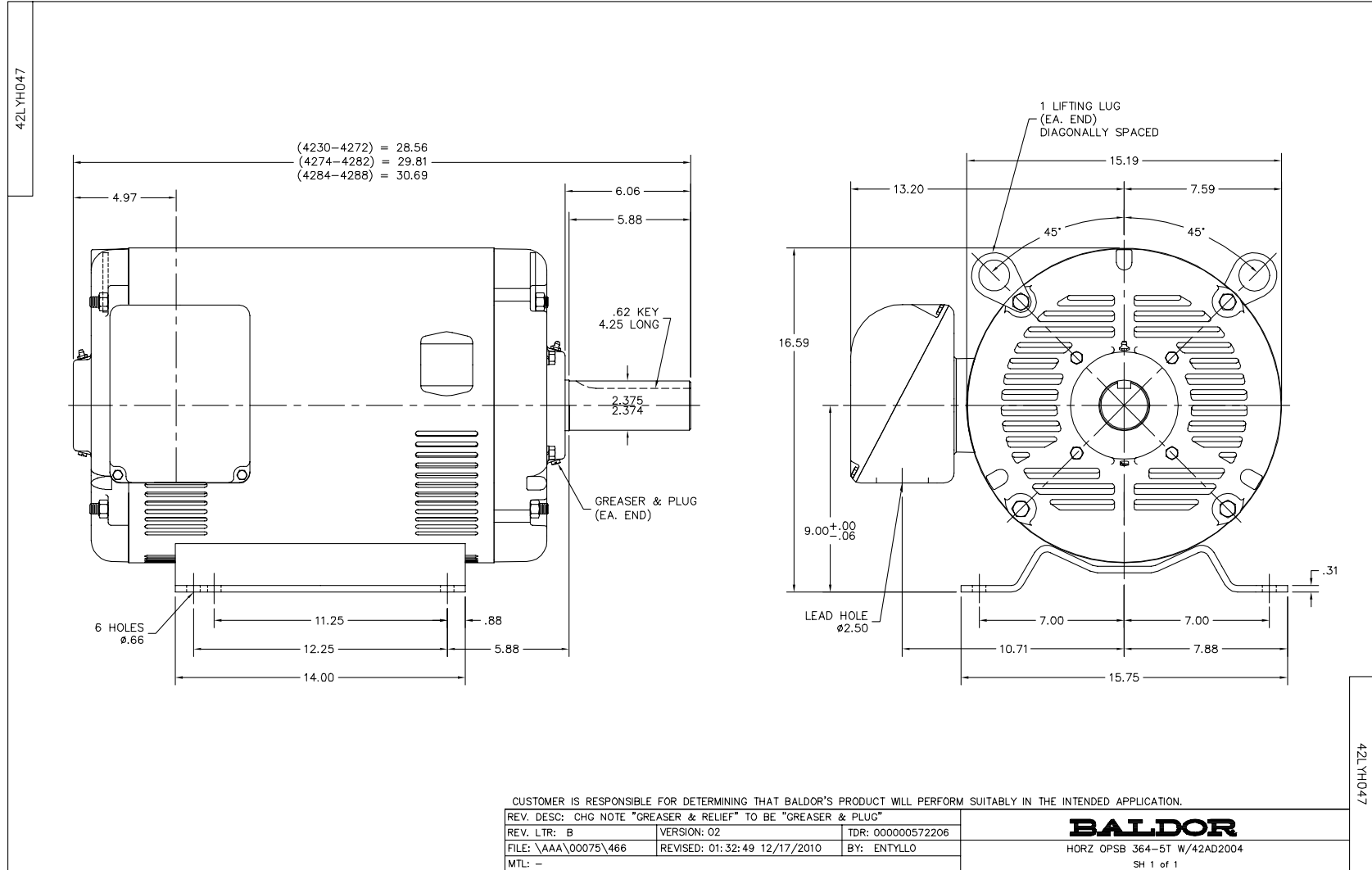
**Performance Data at 460V, 60Hz, 40.0HP (Typical performance - Not guaranteed values)**

| General Characteristics  |                                 |                      |             |
|--------------------------|---------------------------------|----------------------|-------------|
| Full Load Torque:        | 178.0 LB-FT                     | Start Configuration: | DOL         |
| No-Load Current:         | 21.9 Amps                       | Break-Down Torque:   | 521.0 LB-FT |
| Line-line Res. @ 25°C.:  | 0.154 Ohms A Ph / 0.0 Ohms B Ph | Pull-Up Torque:      | 232.0 LB-FT |
| Temp. Rise @ Rated Load: | 41 C                            | Locked-Rotor Torque: | 317.0 LB-FT |
| Temp. Rise @ S.F. Load:  | 50 C                            | Starting Current:    | 337.0 Amps  |

| Load Characteristics |        |        |        |        |        |        |        |
|----------------------|--------|--------|--------|--------|--------|--------|--------|
| % of Rated Load      | 25     | 50     | 75     | 100    | 125    | 150    | S.F.   |
| Power Factor:        | 43.0   | 64.0   | 74.0   | 79.0   | 81.0   | 82.0   | 80.0   |
| Efficiency:          | 89.3   | 93.1   | 94.1   | 94.1   | 93.3   | 92.2   | 93.6   |
| Speed:               | 1195.0 | 1191.0 | 1187.0 | 1183.0 | 1177.0 | 1170.0 | 1179.0 |
| Line Amperes:        | 24.8   | 31.6   | 40.5   | 50.9   | 62.2   | 77.5   | 57.7   |

Performance Graph at 460V, 60Hz, 40.0HP Typical performance - Not guaranteed values





CD0005

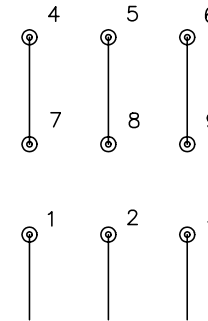


LOW VOLTAGE  
(2Y)



LINE

HIGH VOLTAGE  
(1Y)



LINE

NOTES:

1. INTERCHANGE ANY TWO LINE LEADS TO REVERSE ROTATION.
2. OPTIONAL THERMOSTATS ARE PROVIDED WHEN SPECIFIED.
3. ACTUAL NUMBER OF INTERNAL PARALLEL CIRCUITS MAY BE A MULTIPLE OF THOSE SHOWN ABOVE.
4. LEAD COLORS ARE OPTIONAL. LEADS MUST ALWAYS BE NUMBERED AS SHOWN.

|   |         |                         |              |
|---|---------|-------------------------|--------------|
| REV. DESC: REVISE TO SHOW OPTIONAL COLORS |         |                         |              |
| REV. LTR: E                               | BY: JLP | REVISED: 01/19/99 10:15 | TDR: 0171435 |
| 90000                                     |         | FILE: AAA00005140       | MDL: -       |
|   |         | MTL: -                  |              |

**BALDOR ELECTRIC Co.**

3PH, DV, 9 LEADS

CD0005