

# **BALDOR® • RELIANCE**

## **Product Information Packet**

### **EL1319T**

**1.5HP, 1755RPM, 1PH, 60HZ, 143T, 3535LC, OPEN**

Copyright © All product information within this document is subject to Baldor Electric Company copyright © protection, unless otherwise noted.

| Part Detail |      |             |        |                |          |               |            |
|-------------|------|-------------|--------|----------------|----------|---------------|------------|
| Revision:   | D    | Status:     | PRD/A  | Change #:      |          | Proprietary:  | No         |
| Type:       | AC   | Prod. Type: | 3535LC | Elec. Spec:    | 35WGS681 | CD Diagram:   |            |
| Enclosure:  | OPEN | Mfg Plant:  |        | Mech. Spec:    | 35EE002  | Layout:       |            |
| Frame:      | 143T | Mounting:   | F1     | Poles:         | 04       | Created Date: | 12-21-2009 |
| Base:       | RG   | Rotation:   | R      | Insulation:    | F        | Eff. Date:    | 01-10-2012 |
| Leads:      | 6#18 | Literature: |        | Elec. Diagram: |          | Replaced By:  |            |

| Nameplate NP2116L |                   |      |      |                |   |    |   |
|-------------------|-------------------|------|------|----------------|---|----|---|
| CAT.NO.           | EL1319T           |      |      |                |   |    |   |
| SPEC.             | 35EE002S681G1     |      |      |                |   |    |   |
| HP                | 1.5               |      |      |                |   |    |   |
| VOLTS             | 115/208-230       |      |      |                |   |    |   |
| AMP               | 12.5/6.7-6.25     |      |      |                |   |    |   |
| RPM               | 1755              |      |      |                |   |    |   |
| FRAME             | 143T              | HZ   | 60   | PH             | 1 |    |   |
| SER.F.            | 1.15              | CODE | K    | DES            | L | CL | F |
| NEMA-NOM-EFF      | 85.5              | PF   | 94   |                |   |    |   |
| RATING            | 40C AMB-CONT      |      |      |                |   |    |   |
| CC                |                   |      |      | USABLE AT 208V |   |    |   |
| DE                | 6205              | ODE  | 6203 |                |   |    |   |
| ENCL              | OPEN              | SN   |      |                |   |    |   |
|                   | SFA 14.3/7.8-7.15 |      |      |                |   |    |   |

| Parts List  |  |          |
|-------------|--|----------|
| Part Number | Description                              | Quantity |
| SA188984    | SA 35EE002S681G1                         | 1.000 EA |
| RA176704    | RA 35EE002S681G1                         | 1.000 EA |
| OC3040F09SP | CYL OIL CAP 40MFD/370V                   | 1.000 EA |
| EC1645A06SP | ELEC CAP, 645-774 MFD, 125V, 2.06D X 4.  | 1.000 EA |
| NS2512A01   | INSULATOR, CONDUIT BOX X                 | 1.000 EA |
| 35CB3009    | 35 CB CASTING W/1.09 DIA. LEAD HOLE @ 6: | 1.000 EA |
| 51XB1016A07 | 10-16 X 7/16 HXWSSLD SERTYB              | 2.000 EA |
| 11XW1032G06 | 10-32 X .38, TAPTITE II, HEX WSHR SLTD U | 1.000 EA |
| 35EP3201A01 | STD FR ENDPLATE-OPEN-203 BRG W/GREASER   | 1.000 EA |
| HW4500A01   | 1641B(ALEMITE)400 UNIV, GREASE FITT      | 1.000 EA |
| 51XW0832A07 | 8-32 X .44, TAPTITE II, HEX WSHR SLTD SE | 2.000 EA |
| 35CB3801SP  | CAPACITOR COVER, CAST                    | 1.000 EA |
| HA7010      | CAPACITOR RETENTION CLAMP                | 1.000 EA |
| NS2501A02   | INSULATOR, CAPACITOR BOX                 | 1.000 EA |
| 51XB1016A08 | 10-16X 1/2HXWSSLD SERTYB                 | 2.000 EA |
| HW5100A03SP | WAVY WASHER (W1543-017)                  | 1.000 EA |
| 35EP3200A01 | STD PU ENDPLATE-OPEN-205 BRG W/GREASER   | 1.000 EA |
| HW4500A01   | 1641B(ALEMITE)400 UNIV, GREASE FITT      | 1.000 EA |
| XY1032A02   | 10-32 HEX NUT DIRECTIONAL SERRATION      | 4.000 EA |
| 35CB4521    | 35 LIPPED CB LID (GALV & PHOSPH)         | 1.000 EA |
| 51XW0832A07 | 8-32 X .44, TAPTITE II, HEX WSHR SLTD SE | 4.000 EA |
| HW2501D13SP | KEY, 3/16 SQ X 1.375                     | 1.000 EA |
| HA7000A01   | KEY RETAINER 7/8" DIA SHAFT              | 1.000 EA |
| 85XU0407S04 | 4X1/4 U DRIVE PIN STAINLESS              | 2.000 EA |

| Parts List (continued) |  |          |
|------------------------|--|----------|
| Part Number            | Description                              | Quantity |
| MJ1000A75              | GREASE, POLYREX EM EXXON                 | 0.050 LB |
| SP5181A01              | MODEL 35 LC TORQ STAT SWITCH LEAD ASSY   | 1.000 EA |
| WD1000A15              | 3-520132-2 AMP FLAG (4M/RL NON-CANC/NON- | 4.000 EA |
| HA3100A22              | THRUBOLT 10-32 X 10.125                  | 4.000 EA |
| MG1000Y03              | WILKO 689.710 GOLD PAINT SUPER E         | 0.017 GA |
| LB1125C02              | SUPER-E (STOCK CTN LABEL SUPER-E WITH FL | 1.000 EA |
| LC0001A01              | CONN LABEL / WARNING LABEL (LC0001 / LB1 | 1.000 EA |
| NP2116L                | ALUM SUPER-E UL CSA CC                   | 1.000 EA |
| 35PA1066               | PACKING GROUP COMBINED PRINT             | 1.000 EA |
| LB1357                 | ENERGY GUIDE LABEL (BOX LABEL)           | 1.000 SH |

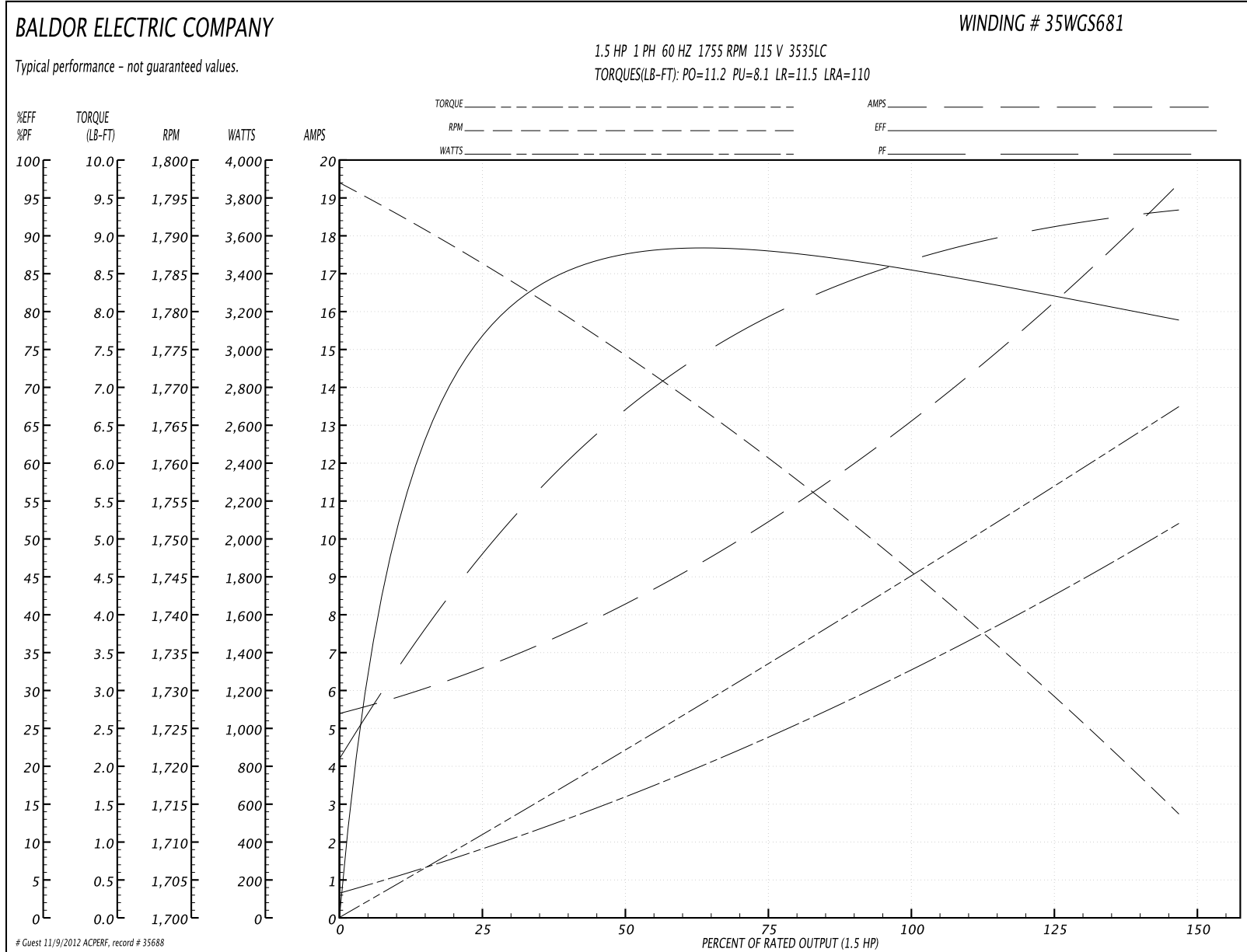
| Accessories   |              |            |
|---------------|--------------|------------|
| Part Number   | Description  | Multiplier |
| 35-8764       | C FACE KIT   | A8         |
| 35EP1506A01SP | D-FLANGE KIT | A8         |

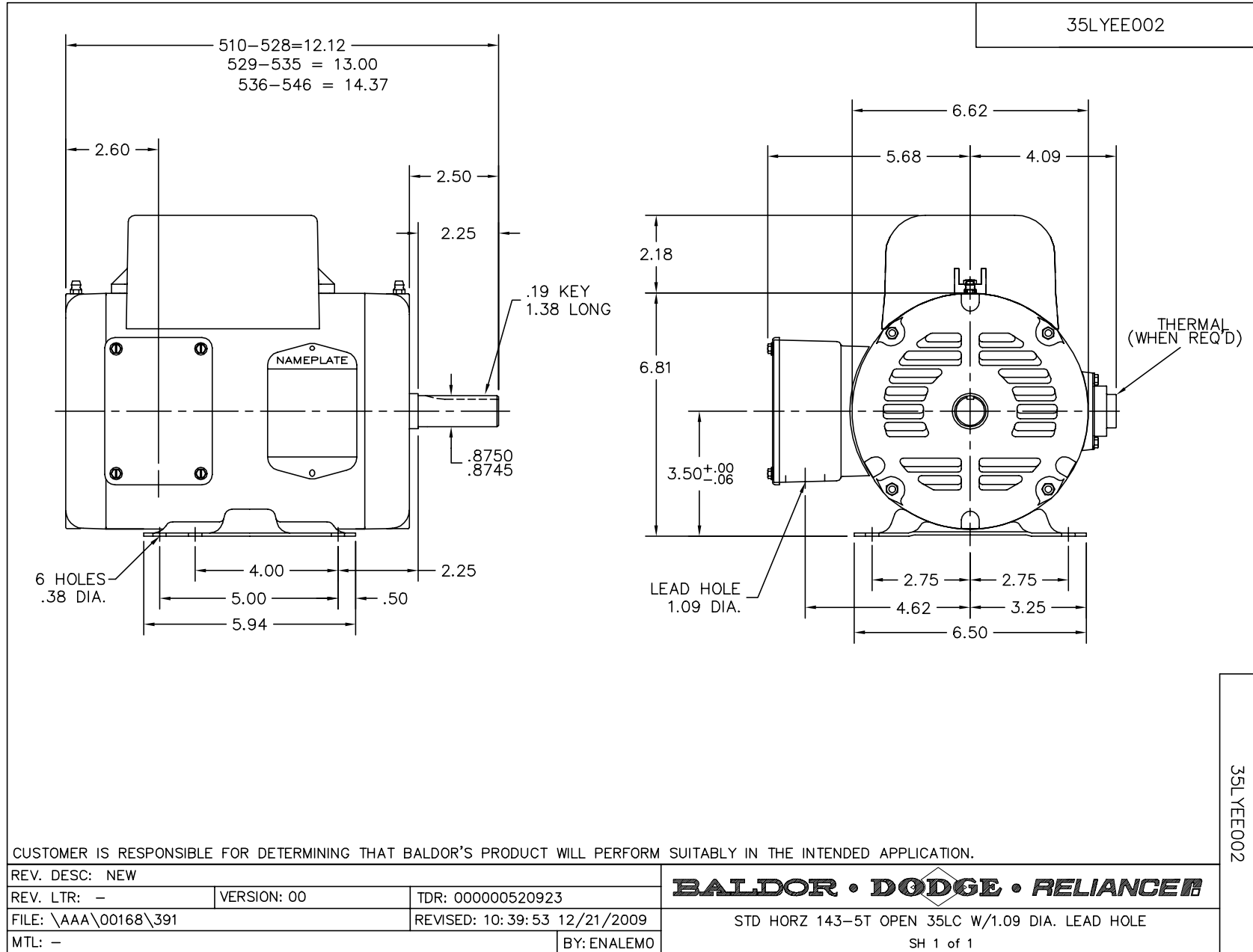
**Performance Data at 115V, 60Hz, 1.5HP (Typical performance - Not guaranteed values)**

| General Characteristics  |                                  |                      |            |
|--------------------------|----------------------------------|----------------------|------------|
| Full Load Torque:        | 4.5 LB-FT                        | Start Configuration: | DOL        |
| No-Load Current:         | 5.5 Amps                         | Break-Down Torque:   | 11.2 LB-FT |
| Line-line Res. @ 25°C.:  | 0.399 Ohms A Ph / 1.77 Ohms B Ph | Pull-Up Torque:      | 8.1 LB-FT  |
| Temp. Rise @ Rated Load: | 32 C                             | Locked-Rotor Torque: | 11.5 LB-FT |
| Temp. Rise @ S.F. Load:  | 39 C                             | Starting Current:    | 110.0 Amps |

| Load Characteristics |        |        |        |        |        |        |        |
|----------------------|--------|--------|--------|--------|--------|--------|--------|
| % of Rated Load      | 25     | 50     | 75     | 100    | 125    | 150    | S.F.   |
| Power Factor:        | 50.0   | 67.0   | 79.0   | 89.0   | 89.0   | 94.0   | 89.0   |
| Efficiency:          | 79.8   | 84.9   | 86.6   | 86.2   | 84.1   | 78.0   | 84.9   |
| Speed:               | 1784.0 | 1771.0 | 1762.0 | 1749.0 | 1729.0 | 1713.0 | 1737.0 |
| Line Amperes:        | 6.2    | 8.7    | 10.8   | 12.7   | 16.0   | 19.5   | 14.7   |

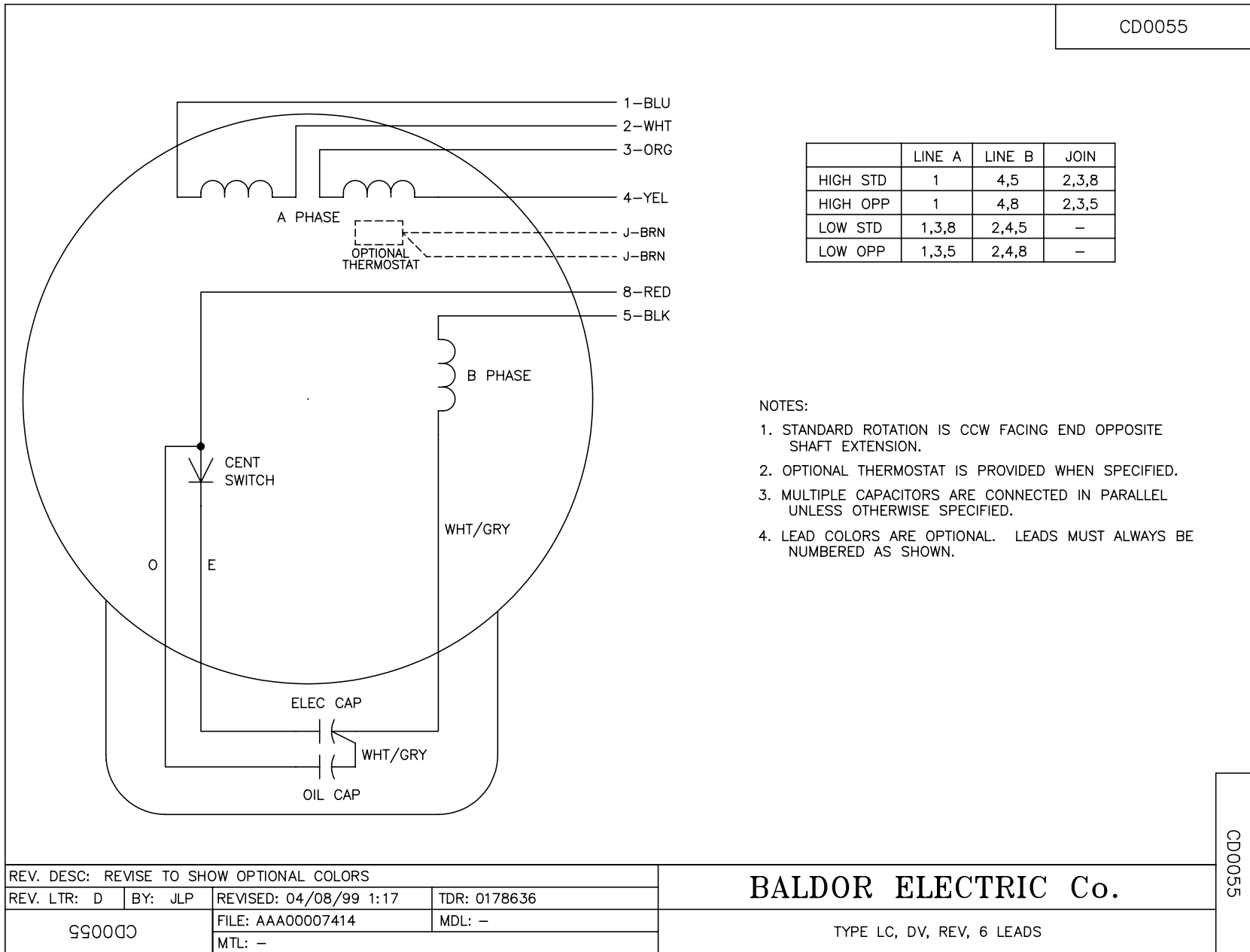
Performance Graph at 115V, 60Hz, 1.5HP Typical performance - Not guaranteed values







CD0055



|   |         |                        |              |
|---|---------|------------------------|--------------|
| REV. DESC: REVISE TO SHOW OPTIONAL COLORS |         |                        |              |
| REV. LTR: D                               | BY: JLP | REVISED: 04/08/99 1:17 | TDR: 0178636 |
| 990055                                    |         | FILE: AAA00007414      | MDL: -       |
|   |         | MTL: -                 |              |

**BALDOR ELECTRIC Co.**

TYPE LC, DV, REV, 6 LEADS

CD0055