

BALDOR® • ***RELIANCE***

Product Information Packet

CUHM3542

.75HP,1725RPM,3PH,60HZ,56C,3516M,TEFC,F3

Copyright © All product information within this document is subject to Baldor Electric Company copyright © protection, unless otherwise noted.

Part Detail									
Revision:	F	Status:	PRD/A	Change #:		Proprietary:	No		
Type:	AC	Prod. Type:	3516M	Elec. Spec:	35WG4092	CD Diagram:			
Enclosure:	TEFC	Mfg Plant:		Mech. Spec:	35X046	Layout:			
Frame:	56C	Mounting:	F3	Poles:	04	Created Date:	05-22-2008		
Base:	RG	Rotation:	R	Insulation:	F	Eff. Date:	12-14-2011		
Leads:	9#18	Literature:		Elec. Diagram:		Replaced By:			
Nameplate NP1372L									
CAT.NO.	CUHM3542								
SPEC.	35X046-4092G1								
HP	.75								
VOLTS	208-230/460								
AMP	2.3-2.2/1.1								
RPM	1725								
FRAME	56C	HZ	60	PH	3				
SER.F.	1.15	CODE	H	DES	B	CL	F		
NEMA-NOM-EFF	75.5	PF	78						
RATING	40C AMB-CONT								
CC					USABLE AT 208V	2.3			
DE	6205	ODE	6203						
ENCL	TEFC	SN							
	IP44								

Parts List		
Part Number	Description	Quantity
SA172773	SA 35X046-4092G1	1.000 EA
RA160970	RA 35X046-4092G1	1.000 EA
S/P111-000-002	CORONA TEST, SUPER E MOTORS - FT. SMITH	1.000 EA
NS2512A01	INSULATOR, CONDUIT BOX X	1.000 EA
35CB4007	KOBX, AUTOPHORETIC (REL# 79097-49-C)	1.000 EA
35GS3009	GASKET, KOBX 35CB4006 (411881-15A)	1.000 EA
WD4100A110	CAPLUG,BP-1 1/8, PLUG W/RECESSED HEAD	1.000 EA
51XB1016A05	10-16X5/16HX WA SL SR TYB (F/S)	2.000 EA
11XW1032G06	10-32 X .38, TAPTITE II, HEX WSHR SLTD U	1.000 EA
HW3001B01	003SS CUP WASHER, FOR #8 SCREW	1.000 EA
35EP3100M02	FREP TEFC 203 BRG W/O GRSR (RAISED FH MT	1.000 EA
HW5100A03SP	WAVY WASHER (W1543-017)	1.000 EA
35EP3300A33	SPL FACE MTD EP -ENCL-205 BRG	1.000 EA
51XN1032A20	10-32 X 1 1/4 HX WS SL SR	2.000 EA
51XB1214A16	12-14X1.00 HXWSSLD SERTYB	1.000 EA
35FH4005A32SP	IEC FH NO GRSR W/3 HOLES - W/AUTOPHERETI	1.000 EA
51XW1032A06	10-32 X .38, TAPTITE II, HEX WSHR SLTD S	3.000 EA
35CB4519	CB LID RAW & UNPRIMED, REL# 79097-50-B	1.000 EA
35GS3019	GASKET, FOR KOBX LID 35CB4519	1.000 EA
51XW0832A07	8-32 X .44, TAPTITE II, HEX WSHR SLTD SE	4.000 EA
HW2501D13SP	KEY, 3/16 SQ X 1.375	1.000 EA
HA7000A04	KEY RETAINER 0.625 DIA SHAFTS	1.000 EA
85XU0407S04	4X1/4 U DRIVE PIN STAINLESS	2.000 EA
MJ1000A75	GREASE, POLYREX EM EXXON	0.050 LB

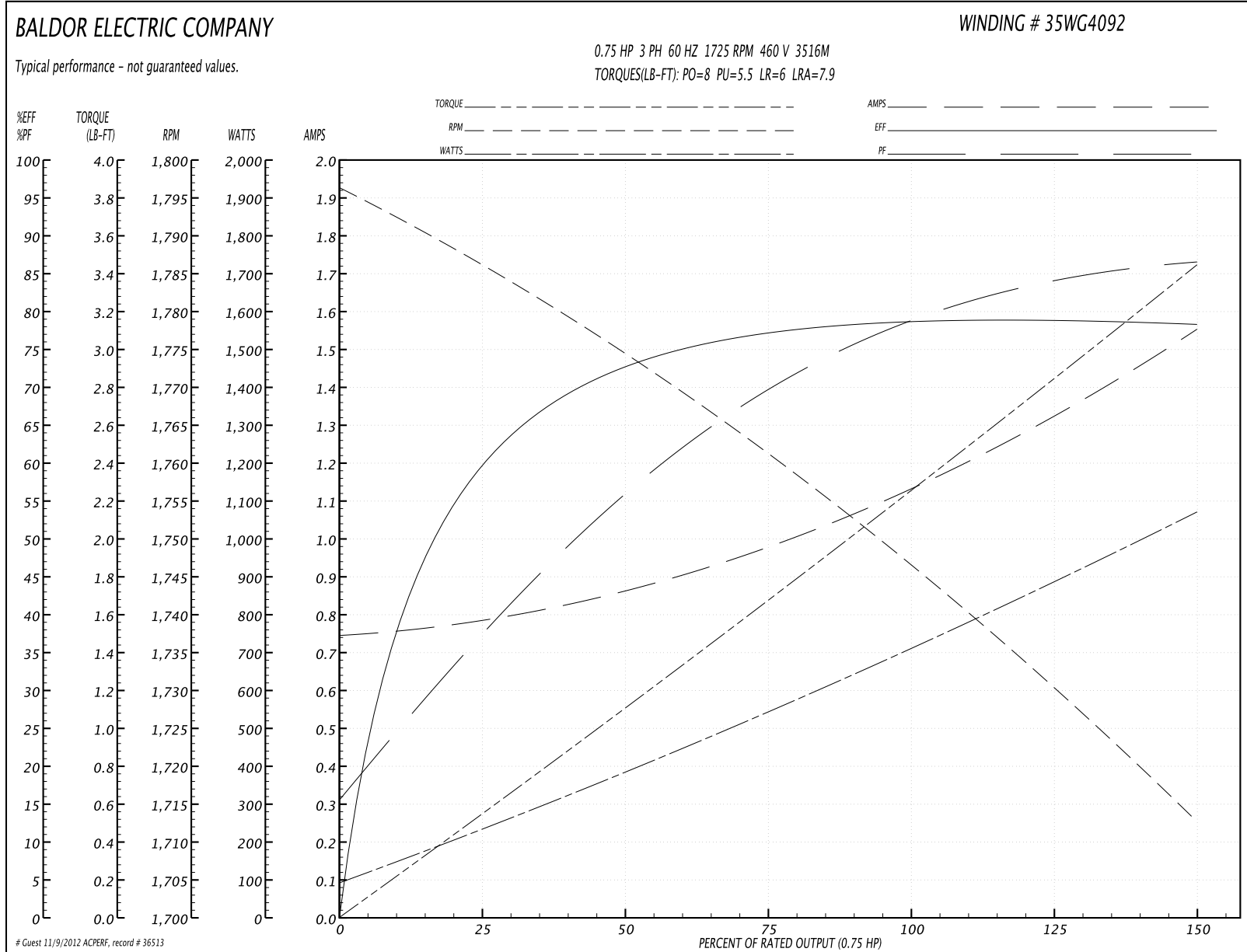
Parts List (continued)		
Part Number	Description	Quantity
35FN3002A05SP	EXFN, PLASTIC, 6.376 OD, .638 ID	1.000 EA
MG1000N49	PAINT, 678.50 WILKO, REL GRN (55 GA)	0.017 GA
HA3100A12	THRUBOLT 10-32 X 7.375	4.000 EA
LB1125C01	STD (STOCK) CARTON LABEL BALDOR WITH FLA	1.000 EA
LB1119	WARNING LABEL	1.000 EA
LC0005	CONN.DIA., TY M,9-LD,DUAL VOLT,REVERSING	1.000 EA
LB5040	INSTRUCTION TAG, AC & DC	1.000 EA
NP1372L	ALUM UL CSA CE CC	1.000 EA
36PA1000	PACK GROUP W/LB5001	1.000 EA
PK3082	STYROFOAM CRADLE	1.000 EA

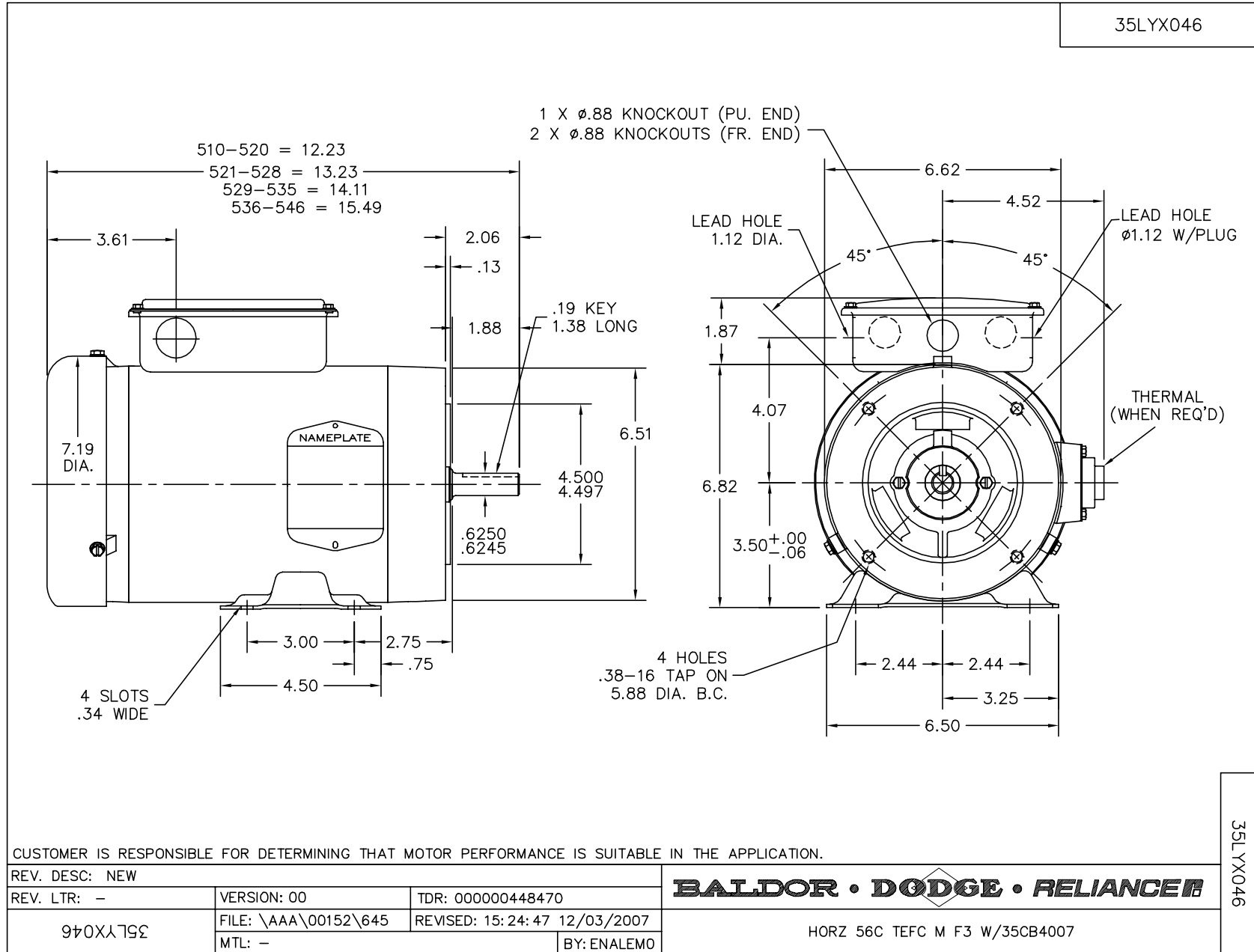
Performance Data at 460V, 60Hz, 0.75HP (Typical performance - Not guaranteed values)

General Characteristics			
Full Load Torque:	2.3 LB-FT	Start Configuration:	DOL
No-Load Current:	0.75 Amps	Break-Down Torque:	8.0 LB-FT
Line-line Res. @ 25°C.:	28.2 Ohms A Ph / 0.0 Ohms B Ph	Pull-Up Torque:	5.5 LB-FT
Temp. Rise @ Rated Load:	35 C	Locked-Rotor Torque:	6.0 LB-FT
Temp. Rise @ S.F. Load:	44 C	Starting Current:	7.9 Amps

Load Characteristics							
% of Rated Load	25	50	75	100	125	150	S.F.
Power Factor:	39.0	57.0	71.0	79.0	84.0	87.0	82.0
Efficiency:	60.0	72.8	77.5	78.9	79.1	78.1	79.0
Speed:	1785.0	1773.0	1760.0	1746.0	1730.0	1712.0	1736.0
Line Amperes:	0.78	0.87	0.99	1.15	1.34	1.55	1.26

Performance Graph at 460V, 60Hz, 0.75HP Typical performance - Not guaranteed values





CD0005

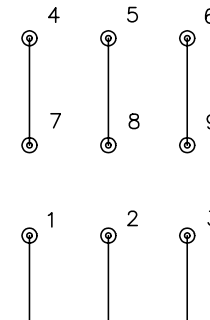


LOW VOLTAGE
(2Y)



LINE

HIGH VOLTAGE
(1Y)



LINE

NOTES:

1. INTERCHANGE ANY TWO LINE LEADS TO REVERSE ROTATION.
2. OPTIONAL THERMOSTATS ARE PROVIDED WHEN SPECIFIED.
3. ACTUAL NUMBER OF INTERNAL PARALLEL CIRCUITS MAY BE A MULTIPLE OF THOSE SHOWN ABOVE.
4. LEAD COLORS ARE OPTIONAL. LEADS MUST ALWAYS BE NUMBERED AS SHOWN.

REV. DESC: REVISE TO SHOW OPTIONAL COLORS			
REV. LTR: E	BY: JLP	REVISED: 01/19/99 10:15	TDR: 0171435
90000		FILE: AAA00005140	MDL: -
		MTL: -	

BALDOR ELECTRIC Co.

3PH, DV, 9 LEADS

CD0005