

BALDOR® • ***RELIANCE***

Product Information Packet

CNM3539

.5HP, 1150RPM, 3PH, 60HZ, 56C, 3524M, TENV, F1

Copyright © All product information within this document is subject to Baldor Electric Company copyright © protection, unless otherwise noted.

Part Detail							
Revision:	G	Status:	PRD/A	Change #:		Proprietary:	No
Type:	AC	Prod. Type:	3524M	Elec. Spec:	35WGQ207	CD Diagram:	
Enclosure:	TENV	Mfg Plant:		Mech. Spec:	35E012	Layout:	
Frame:	56C	Mounting:	F1	Poles:	06	Created Date:	11-29-2007
Base:	RG	Rotation:	R	Insulation:	F	Eff. Date:	07-22-2011
Leads:	9#18	Literature:		Elec. Diagram:		Replaced By:	

Nameplate NP1256L									
CAT.NO.	CNM3539								
SPEC.	35E012Q207G2								
HP	.5								
VOLTS	230/460								
AMP	2/1								
RPM	1150								
FRAME	56C	HZ	60	PH	3				
SER.F.	1.15	CODE	K	DES	B	CLASS	F		
NEMA-NOM-EFF	78.5	PF	54						
RATING	40C AMB-CONT								
CC				USABLE AT 208V	2				
DE	6205	ODE	6203						
ENCL	TENV	SN							

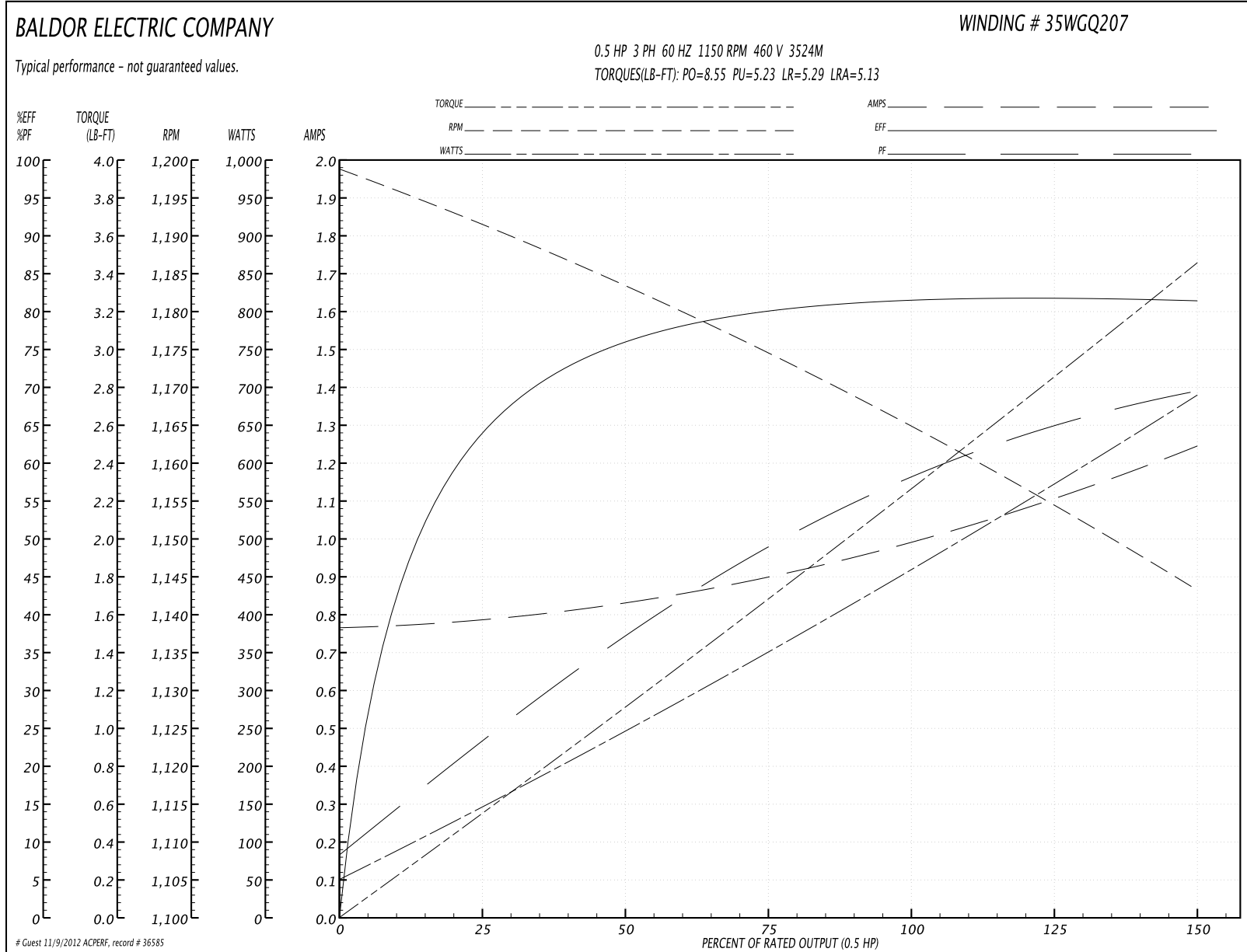
Parts List		
Part Number	Description	Quantity
SA165955	SA 35E012Q207G2	1.000 EA
RA154342	RA 35E012Q207G2	1.000 EA
S/P111-000-002	CORONA TEST, SUPER E MOTORS - FT. SMITH	1.000 EA
NS2512A01	INSULATOR, CONDUIT BOX X	1.000 EA
35CB3007	35 CB CASTING W/.88 DIA. LEAD HOLE	1.000 EA
36GS1000SP	GASKET-CONDUIT BOX, .06 THICK #SV-330 LE	1.000 EA
51XB1016A07	10-16 X 7/16 HXWSSLD SERTYB	2.000 EA
11XW1032G06	10-32 X .38, TAPTITE II, HEX WSHR SLTD U	1.000 EA
35EP3100M69	STD FR EP-TENV-35L OR M--203 BRG	1.000 EA
HW5100A03SP	WAVY WASHER (W1543-017)	1.000 EA
35EP3300A33	SPL FACE MTD EP -ENCL-205 BRG	1.000 EA
51XN1032A20	10-32 X 1 1/4 HX WS SL SR	2.000 EA
35CB4521GX	CONDUIT BOX LID KIT	1.000 EA
51XW0832A07	8-32 X .44, TAPTITE II, HEX WSHR SLTD SE	4.000 EA
HW2501D13SP	KEY, 3/16 SQ X 1.375	1.000 EA
HA7000A04	KEY RETAINER 0.625 DIA SHAFTS	1.000 EA
85XU0407S04	4X1/4 U DRIVE PIN STAINLESS	2.000 EA
MJ1000A75	GREASE, POLYREX EM EXXON	0.050 LB
MG1000G27	PAINT- S9282E CHARCOAL GREY	0.017 GA
HA3100A15	THRUBOLT 10-32 X 8.375	4.000 EA
LC0005E01	CONN.DIA./WARNING LABEL (LC0005/LB1119)	1.000 EA
LB1125C01	STD (STOCK) CARTON LABEL BALDOR WITH FLA	1.000 EA
NP1256L	ALUM UL CSA CC	1.000 EA
35PA1066	PACKING GROUP COMBINED PRINT	1.000 EA

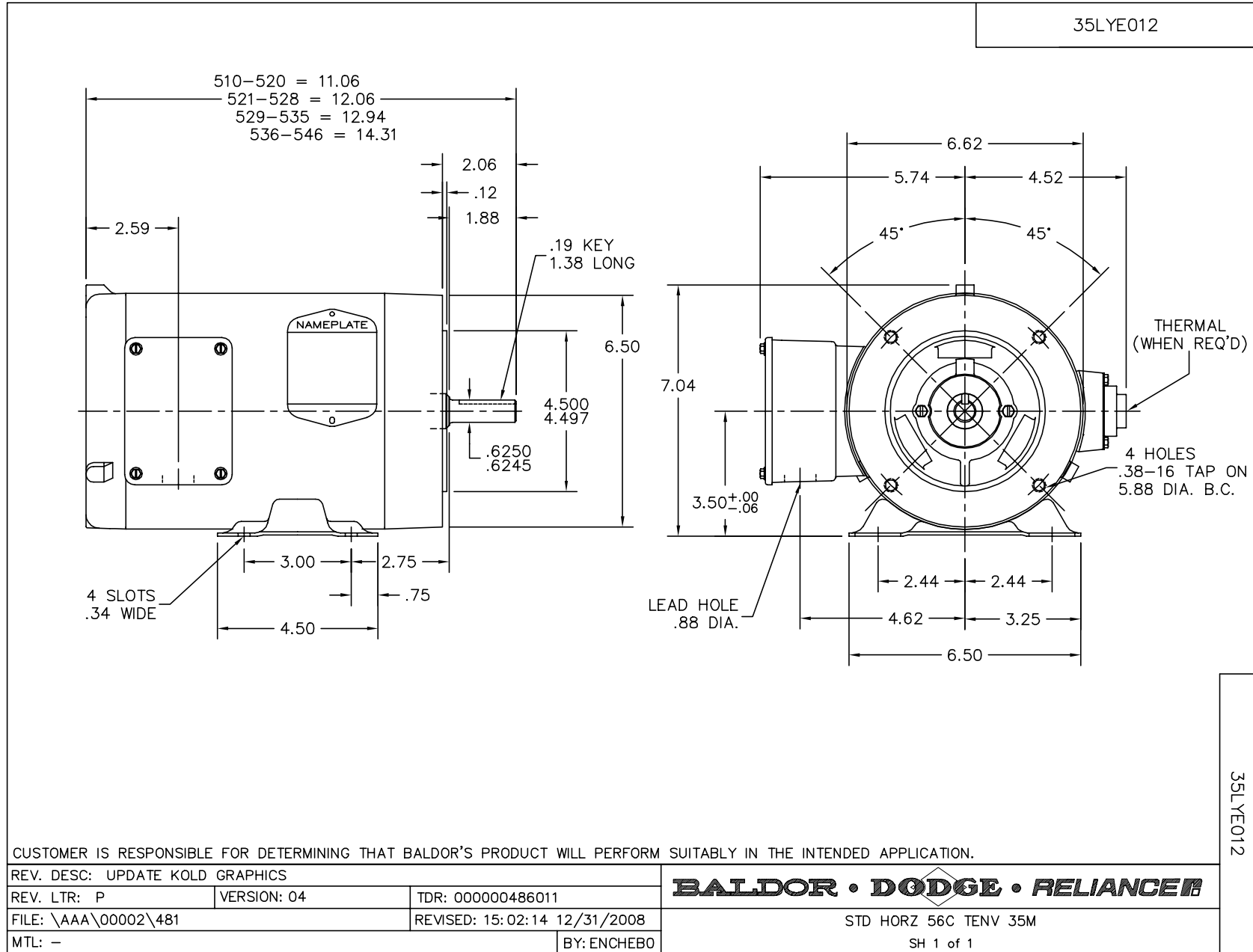
Performance Data at 460V, 60Hz, 0.5HP (Typical performance - Not guaranteed values)

General Characteristics			
Full Load Torque:	2.31 LB-FT	Start Configuration:	DOL
No-Load Current:	0.769 Amps	Break-Down Torque:	8.55 LB-FT
Line-line Res. @ 25°C.:	24.6 Ohms A Ph / 0.0 Ohms B Ph	Pull-Up Torque:	5.23 LB-FT
Temp. Rise @ Rated Load:		Locked-Rotor Torque:	5.29 LB-FT
Temp. Rise @ S.F. Load:		Starting Current:	5.13 Amps

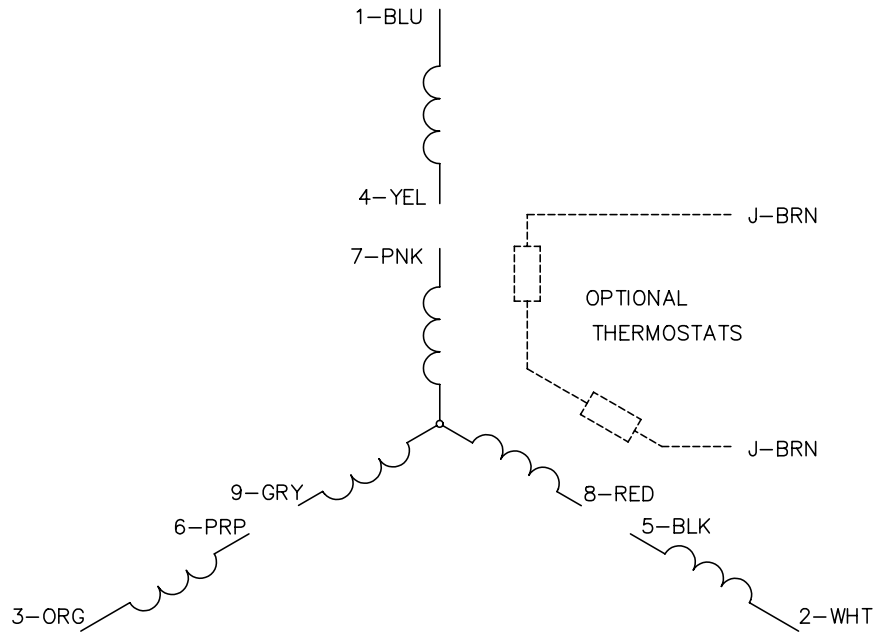
Load Characteristics							
% of Rated Load	25	50	75	100	125	150	S.F.
Power Factor:	24.0	38.0	50.0	59.0	65.0	70.0	63.0
Efficiency:	64.0	75.8	80.5	81.9	81.8	81.3	81.8
Speed:	1191.0	1183.0	1173.0	1165.0	1154.0	1143.0	1158.0
Line Amperes:	0.784	0.833	0.905	1.0	1.12	1.24	1.07

Performance Graph at 460V, 60Hz, 0.5HP Typical performance - Not guaranteed values

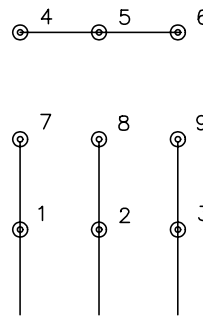




CD0005

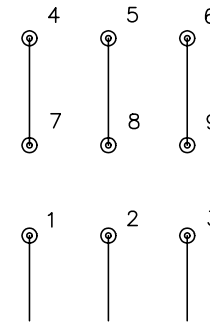


LOW VOLTAGE
(2Y)



LINE

HIGH VOLTAGE
(1Y)



LINE

NOTES:

1. INTERCHANGE ANY TWO LINE LEADS TO REVERSE ROTATION.
2. OPTIONAL THERMOSTATS ARE PROVIDED WHEN SPECIFIED.
3. ACTUAL NUMBER OF INTERNAL PARALLEL CIRCUITS MAY BE A MULTIPLE OF THOSE SHOWN ABOVE.
4. LEAD COLORS ARE OPTIONAL. LEADS MUST ALWAYS BE NUMBERED AS SHOWN.

REV. DESC: REVISE TO SHOW OPTIONAL COLORS			
REV. LTR: E	BY: JLP	REVISED: 01/19/99 10:15	TDR: 0171435
90000		FILE: AAA00005140	MDL: -
		MTL: -	

BALDOR ELECTRIC Co.

3PH, DV, 9 LEADS

CD0005