

# **BALDOR**® • ***RELIANCE***

## **Product Information Packet**

# **CD6218**

**1HP,1750RPM,DC,184C,3623D,TEFC,F1**

Copyright © All product information within this document is subject to Baldor Electric Company copyright © protection, unless otherwise noted.

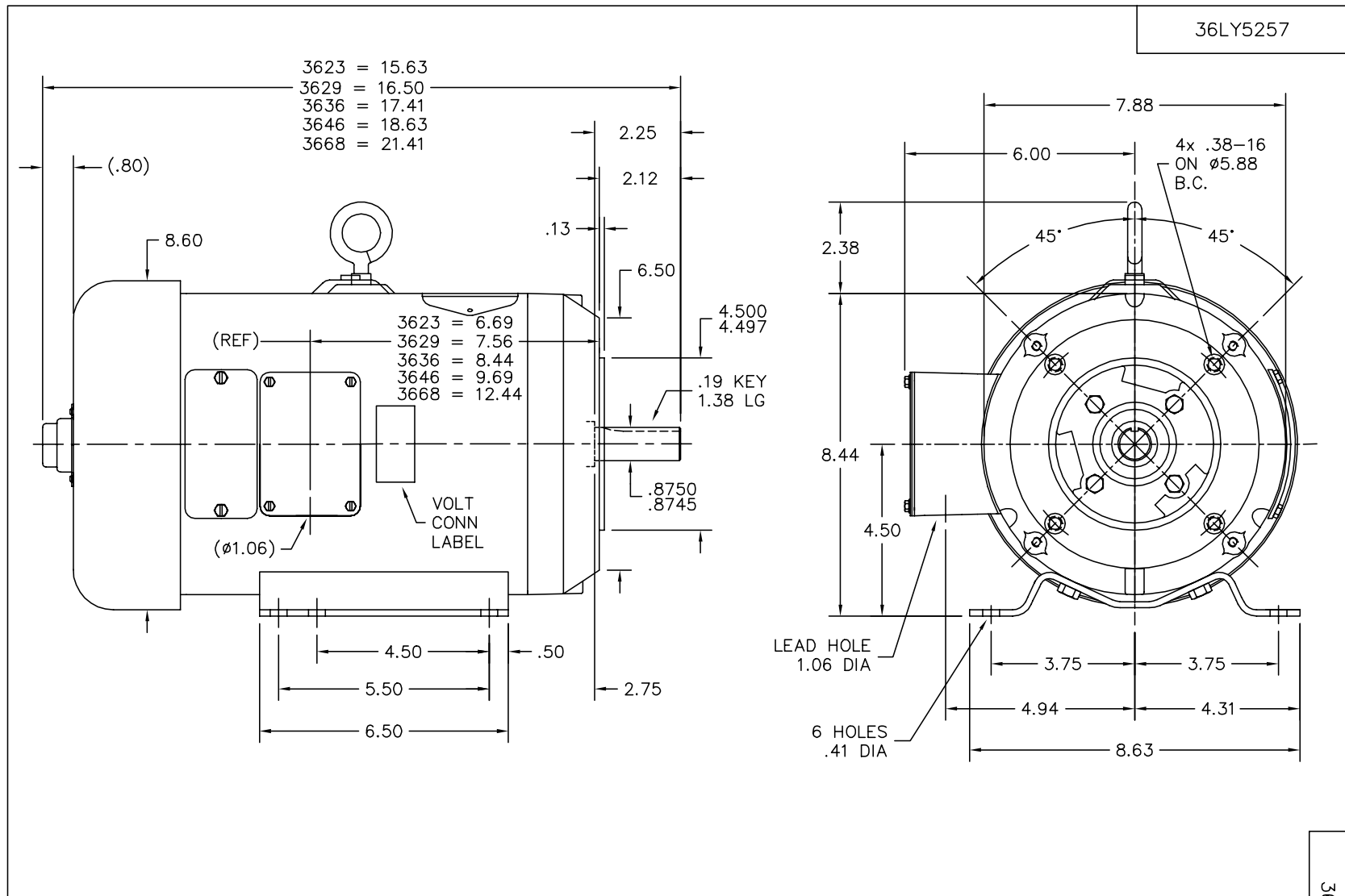
| Part Detail |       |             |       |                |          |               |            |
|-------------|-------|-------------|-------|----------------|----------|---------------|------------|
| Revision:   | T     | Status:     | PRD/A | Change #:      |          | Proprietary:  | No         |
| Type:       | DC    | Prod. Type: |       | Elec. Spec:    | 36WGZ110 | CD Diagram:   |            |
| Enclosure:  | TEFC  | Mfg Plant:  |       | Mech. Spec:    | 36-5257  | Layout:       |            |
| Frame:      | 184C  | Mounting:   | F1    | Poles:         | 2///     | Created Date: |            |
| Base:       | RG    | Rotation:   | R     | Insulation:    | F        | Eff. Date:    | 06-24-2011 |
| Field Type: | Shunt | Literature: |       | Elec. Diagram: |          | Replaced By:  |            |

| Nameplate NP0111L |             |         |        |
|-------------------|-------------|---------|--------|
| CAT.NO.           | CD6218      |         |        |
| SPEC.             | 36-5257Z110 |         |        |
| HP                | 1           | ENCL    | TEFC   |
| RPM               | 1750        |         |        |
| FRAME             | 184C        | TYPE    | 3623D  |
| ARM V             | 180         | ARM A   | 5      |
| FLD V             | 200/100     | FLD A   | .25/.5 |
| INSUL             | F           | AMB.    | 40     |
| DUTY              | CONT        | SUPPLY  | ----   |
| BRG/DE            | 6206        | BRG/ODE | 6205   |
| BRUSHES           | 2/BP5125A01 |         |        |
|                   |             | BLANK   |        |
| SER.              |             |         |        |
| BLANK             |             |         |        |
| APRV-CSA          |             | APRV-UL |        |

| Parts List    |  |          |
|---------------|--|----------|
| Part Number   | Description                              | Quantity |
| SA006661      | SA 36-5257Z110                           | 1.000 EA |
| AA003295      | AA 36-5257Z110                           | 1.000 EA |
| LB1115        | LABEL,LIFTING DEVICE                     | 1.000 EA |
| 36CB3000SP    | CONDUIT BOX, CAST                        | 1.000 EA |
| 36GS1000SP    | GASKET-CONDUIT BOX, .06 THICK #SV-330 LE | 1.000 EA |
| 51XB1016A07   | 10-16 X 7/16 HXWSSLD SERTYB              | 2.000 EA |
| 11XW1032G06   | 10-32 X .38, TAPTITE II, HEX WSHR SLTD U | 1.000 EA |
| HW3001B01     | 003SS CUP WASHER, FOR #8 SCREW           | 1.000 EA |
| 36EP3300A03   | FR ENDPLATE, MACH                        | 1.000 EA |
| HW5100A05     | WVY WSHR F/205 & 304 BRGS                | 1.000 EA |
| 36EP3303A06   | STD PU ENDPLATE -ENCL- 206 BRG, NO GRSR, | 1.000 EA |
| 10XN2520A24   | 1/4-20X 1 1/2 HEX HD X                   | 4.000 EA |
| HW1001A25     | LOCKWASHER 1/4, ZINC PLT .493 OD, .255 I | 4.000 EA |
| 10XN2520A12   | O1/4-20X 3/4 HEX HEAD CAP                | 2.000 EA |
| HW1000A25     | 1/4 SAE FLAT WASHER (FS)                 | 2.000 EA |
| HW1001A25     | LOCKWASHER 1/4, ZINC PLT .493 OD, .255 I | 2.000 EA |
| 36FN3000A01SP | EXFN, PLASTIC, 7.00 OD, .912 ID          | 1.000 EA |
| 51XB1214A16   | 12-14X1.00 HXWSSLD SERTYB                | 1.000 EA |
| 36FH5000A11   | FAN COVER/TACH. ACC. ASSY.08 45823107    | 1.000 EA |
| 51XW1032A06   | 10-32 X .38, TAPTITE II, HEX WSHR SLTD S | 3.000 EA |
| 36CV4000      | INSPECTION COVER, BRUSH Z                | 2.000 EA |
| 36GS1016      | GASKET, BRUSH INSP COVER X               | 2.000 EA |
| 51XW1032A06   | 10-32 X .38, TAPTITE II, HEX WSHR SLTD S | 4.000 EA |
| 35CB4514      | 35 LIPPED CB LID                         | 1.000 EA |

| Parts List (continued) |  |          |
|------------------------|--|----------|
| Part Number            | Description                              | Quantity |
| 36GS1001SP             | GASKET, CONDUIT BOX LID, .06 THICK #SV-3 | 1.000 EA |
| 51XW0832A07            | 8-32 X .44, TAPTITE II, HEX WSHR SLTD SE | 4.000 EA |
| HW2501D13SP            | KEY, 3/16 SQ X 1.375                     | 1.000 EA |
| HA7000A01              | KEY RETAINER 7/8" DIA SHAFT              | 1.000 EA |
| MG1000G27              | PAINT- S9282E CHARCOAL GREY              | 0.022 GA |
| 10XF0440S02            | 04-40 X 1/8 TYPE F HEX HD STAINLESS STIC | 2.000 EA |
| 36RK5002A01            | ROCKERARM ASSY - H45                     | 1.000 EA |
| HA3101A34              | THRUBOLT- 1/4-20 X 10.375                | 4.000 EA |
| LB1125C01              | STD (STOCK) CARTON LABEL BALDOR WITH FLA | 1.000 EA |
| LB1119                 | WARNING LABEL                            | 1.000 EA |
| LC0860                 | CONN. DIAGRAM-DC(SHUNT WOUND MOTOR)      | 1.000 EA |
| NP0111L                | NP STD LASER ENGRAVED DC MOTORS, UL CSA  | 1.000 EA |
| 35PA1007               | PACKAGING GROUP                          | 1.000 EA |

| Accessories |                              |            |
|-------------|------------------------------|------------|
| Part Number | Description                  | Multiplier |
| TK3600      | TEFC TACH MTG.CONVERSION KIT | A8         |



CUSTOMER IS RESPONSIBLE FOR DETERMINING THAT MOTOR PERFORMANCE IS SUITABLE IN THE APPLICATION.

|  |                      |                              |
|--|----------------------|------------------------------|
| REV. DESC: REVISED TO CORRECT DIM FROM KOBX TO PU ENDPLATE |                      |                              |
| REV. LTR: T  | VERSION: 02          | TDR: 000000423713            |
| 36LY5257   | FILE: \AAA\00020\054 | REVISED: 11:39:43 02/27/2007 |
|  | MTL: -               | BY: ENMARW1                  |

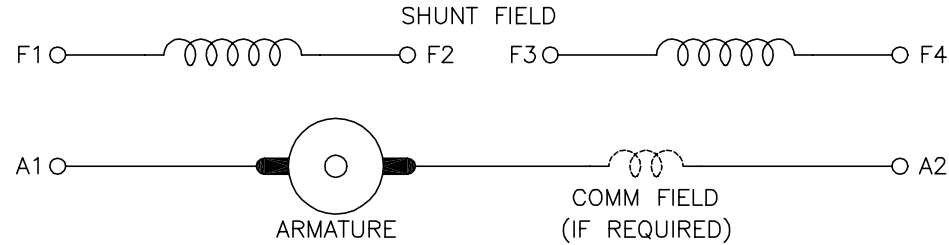
**BALDOR ELECTRIC Co.**

SPL HORZ 36DC TEFC NEMA 182-4C M.F.T.K. & T'STAT

36LY5257

CD0860C01

# SHUNT WOUND



| CONNECTION   | DIRECTION OF ROTATION       |               |                             |               |
|--------------|-----------------------------|---------------|-----------------------------|---------------|
|              | CWDE                        |               | CCWDE                       |               |
|              | POS TERM (+)                | NEG TERM (-)  | POS TERM (+)                | NEG TERM (-)  |
| HIGH VOLTAGE | A1<br>F1<br>CONNECT F2 & F3 | A2<br>F4      | A2<br>F1<br>CONNECT F2 & F3 | A1<br>F4      |
| LOW VOLTAGE  | A1<br>F1 & F3               | A2<br>F2 & F4 | A2<br>F1 & F3               | A1<br>F2 & F4 |

**NOTES:**

1. LIMIT STARTING INRUSH CURRENT TO NOT MORE THAN 3 TIMES RATED AMPERES BY ENERGIZING THE FULL SHUNT FIELD BEFORE BRINGING THE ARMATURE VOLTAGE UP SLOWLY OR IN STEPS.
2. OPTIONAL FIELD REOSTAT MAY BE CONNECTED IN SERIES WITH THE SHUNT FIELD.
3. OPTIONAL THERMOSTAT LEADS ARE MARKED J,J.

|                                |         |                                |                |
|--------------------------------|---------|--------------------------------|----------------|
| REV. DESC: NEW, REPLACE CD0860 |         |                                |                |
| REV. LTR: -                    | BY: JLP | REVISED: 15: 35: 22 11/03/2004 | TDR: 347796    |
| 100098000                      |         | FILE: AAA00121477              | REF: CD0860C01 |
|                                |         | MTL: -                         |                |

**BALDOR ELECTRIC Co.**

DC CONNECTION DIAGRAM, SHUNT FIELD, 6 LEAD, DUAL VOLTAGE

CD0860C01