

BALDOR® • RELIANCE

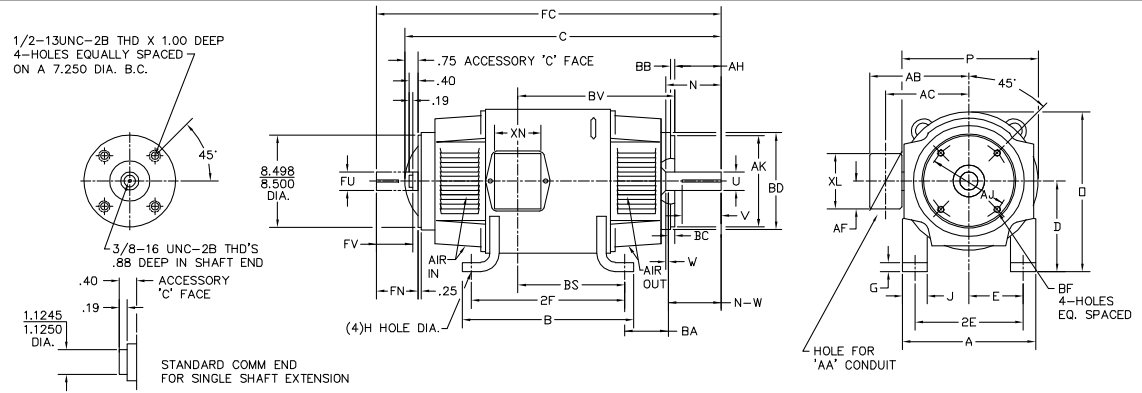
Product Information Packet

CD2015P-2

15HP,1750/2300RPM,DC,258ATC,DPFG,F1

Copyright © All product information within this document is subject to Baldor Electric Company copyright © protection, unless otherwise noted.

Part Detail			
Type:	DC	Prod. Type:	T
Power Code:	D	Weight:	250
Frame Group:	0258ATC	Mounting Pos.:	F1
HP:	15	Enclosure:	DPFG
RPM:	1750/2300	Wound:	STR. SHUNT
Service Factor:	1.0	Arm V:	240
Arm A:	55.00	Field V:	120/ 240
Field A:	3.62/1.81	Field A Hot:	2.52-1.62/1.26-
Insulation Class:	F	Ambient:	40
Duty:	CONT	DE Bearing:	6209
ODE Bearing:	6207	Brushes:	150986-25-1
Brush Qty.:			



FRAME	FOOT MOUNTING											D.E. SHAFT EXTENSION								DRIVE KEY			ACC SHAFT EXTENSION			ACC KEY	
	BA	E	2F	G	H	J	AH	AJ	AK	BB MIN	BC	BD	THREAD	BF DEEP	N	N-W	U	V	W	KEY-SQ	KEY-LONG	FN	FU	FV	KEY-SQ	KEY-LONG	
218ATC	3.50	4.25	10.00	.50	.406	2.00	2.50	7.250	8.500 ²	.24	.25	8.75	1/2-13	1.00	3.00	2.75	1.375	2.50 ⁴	.25	.312	1.75	2.44	1.125	2.19	.250	2.25	
219ATC	3.50	4.25	11.00	.50	.406	2.00	2.50	7.250	8.500 ²	.24	.25	8.75	1/2-13	1.00	3.00	2.75	1.375	2.50 ⁴	.25	.312	1.75	2.44	1.125	2.19	.250	2.25	
2110ATC	3.50	4.25	12.50	.50	.406	2.00	2.50	7.250	8.500 ²	.24	.25	8.75	1/2-13	1.00	3.00	2.75	1.375	2.50 ⁴	.25	.312	1.75	2.44	1.125	2.19	.250	2.25	
258ATC	4.25	5.00	12.50	.69	.531	2.25	3.00	7.250	8.500 ²	.27	.25	8.75	1/2-13	.97	3.44	3.25	1.625	3.00 ⁴	.19	.375	2.31	3.33	1.375	3.08	.312	3.00	
259ATC	4.25	5.00	14.00	.69	.531	2.25	3.00	7.250	8.500 ²	.27	.25	8.75	1/2-13	.97	3.44	3.25	1.625	3.00 ⁴	.19	.375	2.31	3.33	1.375	3.08	.312	3.00	
2510ATC	4.25	5.00	16.00	.69	.531	2.25	3.00	7.250	8.500 ²	.27	.25	8.75	1/2-13	.97	3.44	3.25	1.625	3.00 ⁴	.19	.375	2.31	3.33	1.375	3.08	.312	3.00	
2513ATC	4.25	5.00	22.00	.69	.531	2.25	3.00	7.250	8.500 ²	.27	.25	8.75	1/2-13	.97	3.44	3.25	1.625	3.00 ⁴	.19	.375	2.31	3.33	1.375	3.08	.312	3.00	

FRAME	FRAME							CONDUIT BOX										ARM APPROX. Wt. LBS.FT. ²	APPROXIMATE WEIGHT
	A	B	C	FC	D	O	P	AA	AB	AC	AF	BS	BV	XL	XN				
218ATC	10.38	11.00	24.25	25.93	5.25 ³	10.47	10.44	3/4-1	7.91	6.44	2.44	8.38	12.13	3.81	3.12	1.35	245		
219ATC	10.38	12.00	25.25	26.93	5.25 ³	10.47	10.44	3/4-1	7.91	6.44	2.44	9.38	13.13	3.81	3.12	1.49	263		
2110ATC	10.38	13.50	26.75	28.43	5.25 ³	10.47	10.44	3/4-1	7.91	6.44	2.44	10.88	14.63	3.81	3.12	1.71	291		
258ATC	12.38	14.00	27.25	29.84	6.25 ³	12.47	12.44	1 1/4	9.35	7.72	2.94	9.75	14.25	4.94	4.00	2.91	377		
259ATC	12.38	15.50	28.75	31.34	6.25 ³	12.47	12.44	1 1/4	9.35	7.72	2.94	11.25	16.75	4.94	4.00	3.31	422		
2510ATC	12.38	17.56	30.75	33.34	6.25 ³	12.47	12.44	1 1/4	9.35	7.72	2.94	13.25	17.75	4.94	4.00	3.80	482		
2513ATC	12.38	23.50	36.75	39.34	6.25 ³	12.47	12.44	1 1/4	9.35	7.72	2.94	19.25	19.75	4.94	4.00	5.27	531		

- 1) SHAFT DIAMETERS TO 1.500 TOLERANCE +.000 -0005
- SHAFT DIAMETERS ABOVE 1.500 TOLERANCE +.000 -0010
- SHAFT DIAMETERS TO 1.625 RUNOUT .002 T.I.R. MAX.
- 2) SHAFT DIAMETERS ABOVE 1.625 RUNOUT .003 T.I.R. MAX.
- CONCENTRIC WITH SHAFT .004 T.I.R. MAX.
- FACE RUNOUT WITH SHAFT .004 T.I.R. MAX.
- *AK DIMENSION UNDER 12.000 - DIAMETER TOLERANCE +.000 - .003
- CONCENTRIC WITH SHAFT .007 T.I.R. MAX.
- FACE RUNOUT WITH SHAFT .007 T.I.R. MAX.
- *AK DIMENSION 12.0 & OVER - DIAMETER TOLERANCE +.000 -0005
- CONCENTRIC WITH SHAFT .007 T.I.R. MAX.
- FACE RUNOUT WITH SHAFT .007 T.I.R. MAX.
- 3) 'O' DIMENSION TOLERANCE +.000 -000
- 4) 'V' DIMENSION IS MAX. HUB LENGTH ON SHAFT
- 5) CONDUIT BOX CAN BE NOTED IN 80 STEPS ON ITS OWN AXES
- 6) ALL DIMENSIONS NOT NOTED ARE NOMINAL DIMENSIONS CONSULT FACTORY FOR TOLERANCES.

FOR F1 OR F2 CONDUIT BOX LOCATION SEE SALES ORDER

CUSTOMER IS RESPONSIBLE FOR DETERMINING THAT BALDOR'S PRODUCT WILL PERFORM SUITABLY IN THE INTENDED APPLICATION.

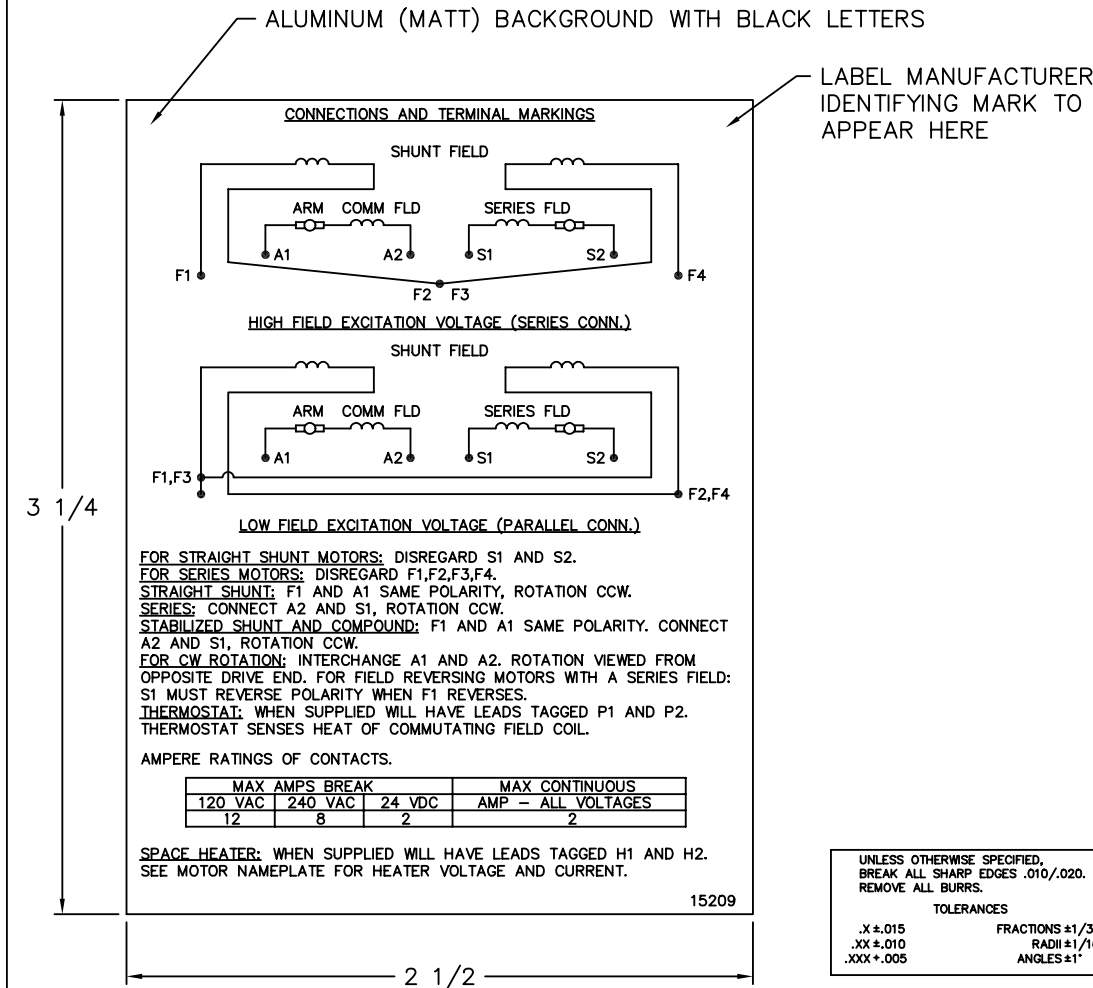
REV. DESC: REV. "D" DIM TO +.000 - .060 ONLY	TDR: 00000752566
REV. LTR: B	VERSION: 01
FILE: \RGG\00019\509	REVISD: 10:47:40 06/20/2012
MTL: -	BY: RGNAS

BALDOR
DIM SHEET
SH 1 of 1

880-1

1-098

15209



NOTE:
 MATERIAL .005 MINIMUM FULL HARD ALUMINUM DULL FINISH.
 TEMP. RANGE -20°C TO +125°C MAXIMUM.
 FOR INDOOR AND OUTDOOR MOUNTING BACK.
 METAL, PRESSURE SENSITIVE BACK. MUST MEET CSA STANDARD.
 THE CSA IDENTIFYING MARK OF THE LABEL MANUFACTURER MUST APPEAR IN THE UPPER RIGHT HAND CORNER AS INDICATED.

MATL: NOTED			
REV:	G	CHANGE ALL "NAMEPLATE" TEXT TO "LABEL"	
60291	SCALE: -	BY: BKW	REVISED: 02/19/97
	FILE: CHB00002485	TDR: 0115147	

BALDOR ELECTRIC Co.

LABEL, CONNECTIONS AND TERMINAL MARKINGS DC

15209


REL. S. O.	FRAME	RATING	RPM	ARM. VOLTS	ARM. AMPS
	258	15.0HP	1750	240	55.0
WINDING TYPE		S.F.	ENCL.	AMB °C/INSUL	DUTY
STRAIGHT SHUNT		1.0	DRG	40/F	CONT
					240
POWER CODE	TYPE	WK 2 (LB-FT ²)	HOT ARM. CIR. RES.	FLD. AMPS@25 °C	HOT FIELD RES
D	T	2.402	.409	1.80	190

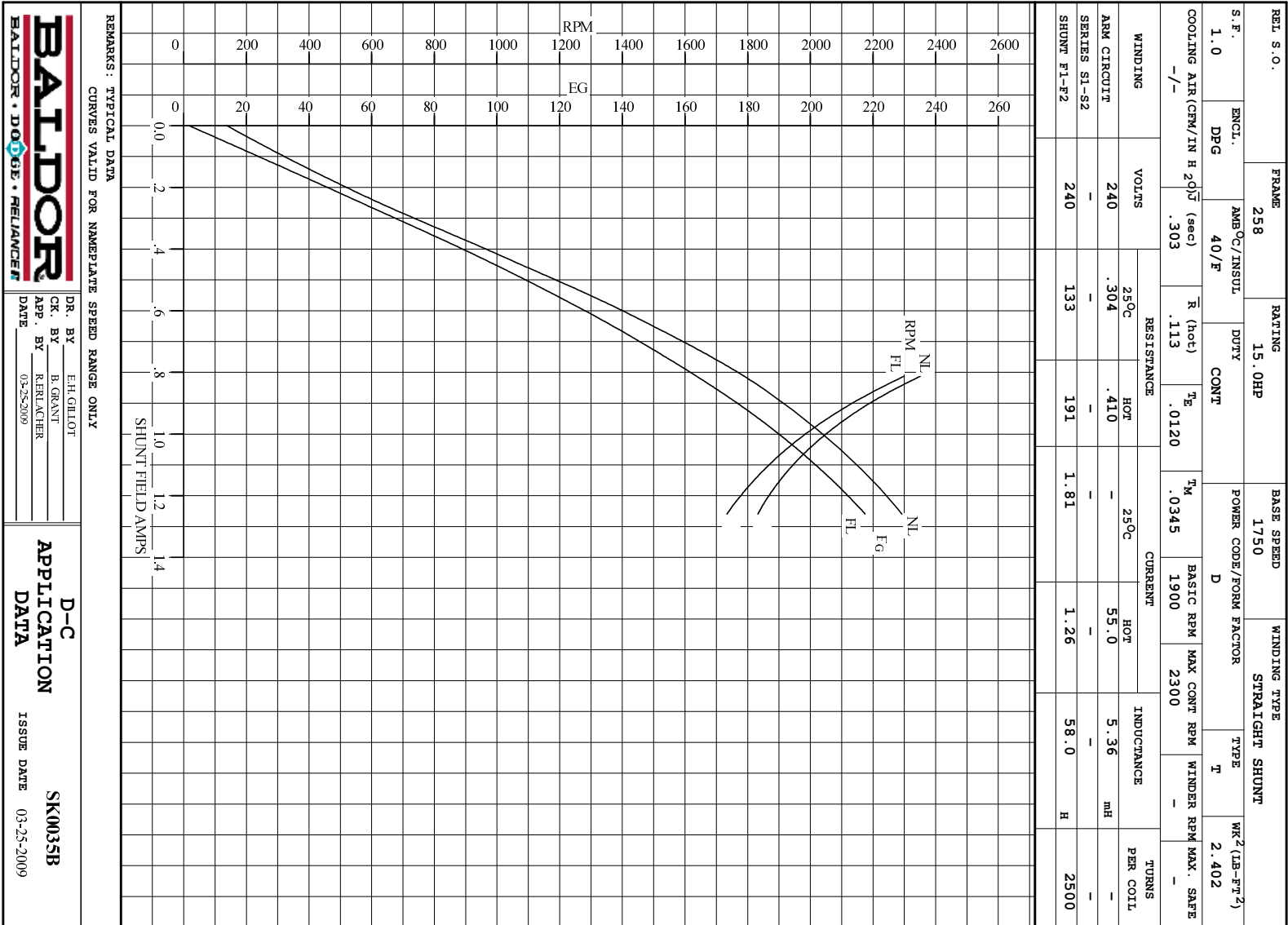
ARM. CIR. IND. (mh)	FIELD IND. (H)	COOLING AIR (CFM/IN H 20)	TURNS PER COIL SHUNT/SERIES	TEST DATE
5.36	58.0	-/-	2500/.00000	-

LOAD PERFORMANCE					
LOAD	AMPERES	TORQUE IN LB.-FT.	OUTPUT IN HP	RPM	% EFFICIENCY
NO LOAD	2.4	0	0	1821	0
1/4	14	10.3	3.53	1793	70.9
2/4	28	22.6	7.60	1767	79.9
3/4	41	34.7	11.4	1733	82.1
4/4	55	45.6	15.0	1730	81.9
O.L.	83	64.8	21.5	1742	79.0

RPM VS. FIELD AMPS		Eg VS. FIELD AMPS	
FIELD AMPS	RPM N.L.	RPM F.L.	Eg N.L. @ BASE SPEED
1.25	1820	1730	229
1.14	1905	1822	220
1.03	2008	1939	208
.924	2152	2094	195
.812	2351	2300	178
			Eg F.L. @ BASE SPEED
			217
			206
			194
			180
			163

REMARKS: TYPICAL DATA

	DR. BY E. H. GILLOT	D-C MOTOR PERFORMANCE DATA DK0035B ISSUE DATE 03-25-2009
	CK. BY B. GRANT APP. BY R. BRANCHER DATE 03-25-2009	



BALDOR
BALDOR • DOUG • RELIANCE

DR. BY E.H.GILLOT
CK. BY B.GRANT
APP. BY R.BRANCHER
DATE 03-25-2009

D-C APPLICATION DATA

SK0035B
ISSUE DATE 03-25-2009

