

# **BALDOR® • RELIANCE**

## **Product Information Packet**

### **662R**

**.33HP,3600RPM,1PH,60HZ,3320S,BUFF**

Copyright © All product information within this document is subject to Baldor Electric Company copyright © protection, unless otherwise noted.

Part Detail							
Revision:	BC	Status:	PRD/A	Change #:		Proprietary:	No
Type:	AC	Prod. Type:	3320S	Elec. Spec:	G6WG0017	CD Diagram:	
Enclosure:	TENV	Mfg Plant:		Mech. Spec:		Layout:	
Frame:		Mounting:	F1	Poles:	02	Created Date:	
Base:		Rotation:	FS	Insulation:	B	Eff. Date:	03-01-2012
Leads:	2#18	Literature:		Elec. Diagram:		Replaced By:	

Nameplate NP0522			
VOLTS	115	RPM	3600
HZ	60	AMPS	3.1
CAT.NO.	662R	SER.	

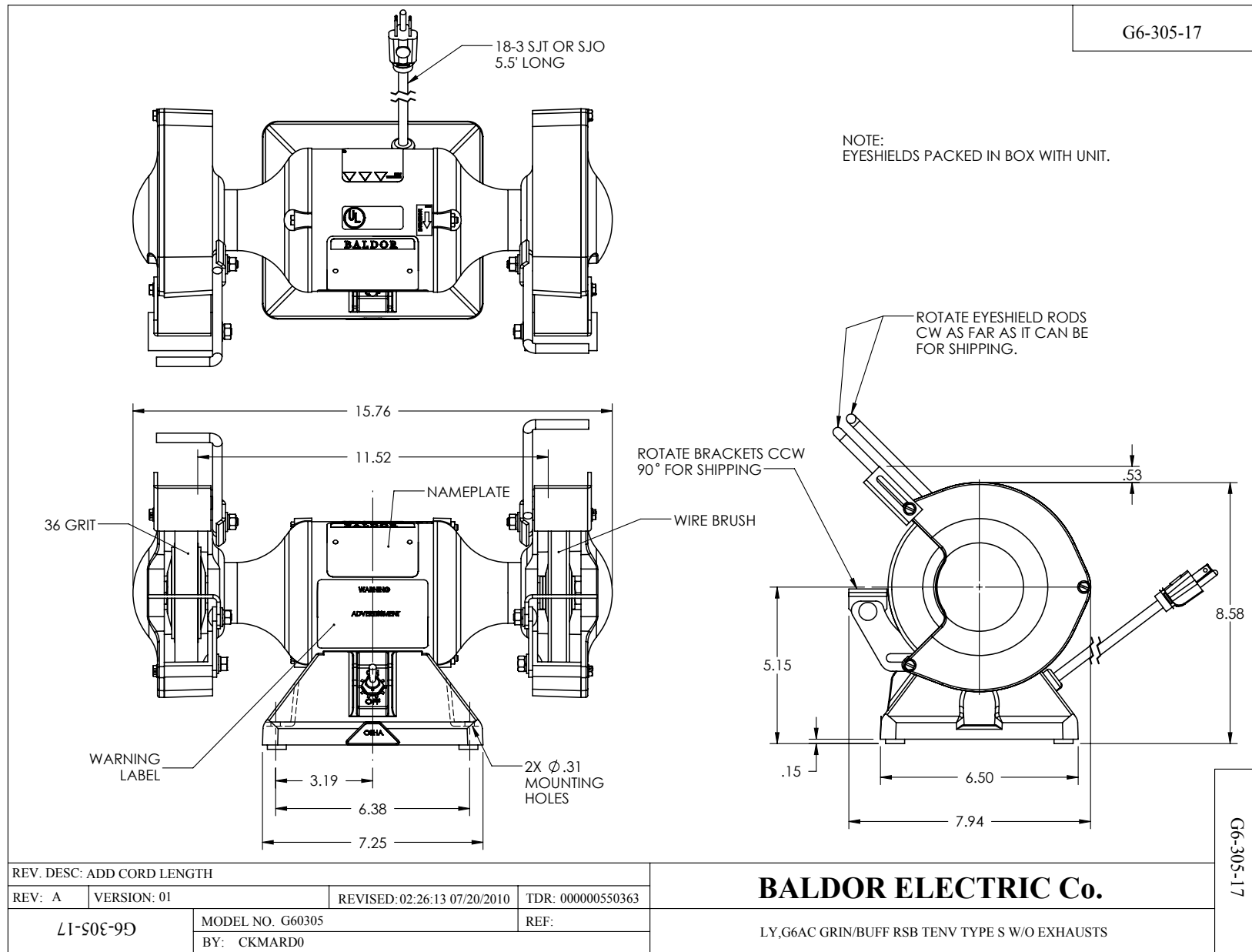
Parts List		
Part Number	Description	Quantity
SA004961	SA G6-305-17	1.000 EA
RA002311	RA G6-305-17	1.000 EA
RE1020SP	C.S.RELAY 3CR-738-169(TI)	1.000 EA
G6BA3000BR	G6-264 BASE, CAST RED POWDER COAT	1.000 EA
60XM2520A12	SCREW,PAN TORX 1/4-20X.750 THREAD FORMIN	2.000 EA
HW1000A25	1/4 SAE FLAT WASHER (FS)	2.000 EA
XY2520A12	1/4-20 HEX NUT, DIRECTIONAL SERRATIONS	1.000 EA
XY2520A12	1/4-20 HEX NUT, DIRECTIONAL SERRATIONS	1.000 EA
XY2520A12	1/4-20 HEX NUT, DIRECTIONAL SERRATIONS	1.000 EA
XY2520A12	1/4-20 HEX NUT, DIRECTIONAL SERRATIONS	1.000 EA
HW1001A25	LOCKWASHER 1/4, ZINC PLT .493 OD, .255 I	2.000 EA
NP0522	GRINDER- BUFFER NAMEPLATE	1.000 EA
G6FH3801BR	GRINDER GUARD COVER, CAST	1.000 EA
LD0090B120	LD,01 6.5" BLK W/INSU FLAG TERM	1.000 EA
51XN0832A08	08-32 #10 & SMALLER HEX WASHER HEAD, SL	1.000 EA
LD0158A01	CORD & PLUG ASSY 18-3 SJT	1.000 EA
WD4102A01	SR-6L-1 HEYCO STRN RELIEF OR 23MPO6L10 M	1.000 EA
SP9017SP	SWITCH 758OK8 (C-H)	1.000 EA
HA3205A50	U550-N SWITCH NUT/CARLING	1.000 EA
HW1003A50	LOCKWASHER,1/2",EXT.TOOTHZINC PLATED	1.000 EA
51XF1032G06	10/32X3/8 HXSSTD SER TYPEFX	1.000 EA
G6CB4501	BASE COVER PLATE 6" GRINDER, TYPE 'C'	1.000 EA
RM1012	6" GRINDER FOOT	4.000 EA
11XT1032A06	10-32 X 3/8 HX WSHR HD SLTD TYPE 23	2.000 EA

Parts List (continued)		
Part Number	Description	Quantity
HW5100A03SP	WAVY WASHER (W1543-017)	1.000 EA
HA3107A03	10-32 X 5.375 THRU BOLT OHIO	2.000 EA
G6EP3900A01BR	EP,G6AC DE CL 6203 BIG RED POWDER COATIN	1.000 EA
G6EP3900A01BR	EP,G6AC DE CL 6203 BIG RED POWDER COATIN	1.000 EA
HW5100A03SP	WAVY WASHER (W1543-017)	1.000 EA
XY1032A02	10-32 HEX NUT DIRECTIONAL SERRATION	2.000 EA
G6FH3800BR	GRINDER GUARD, BIG RED POWDER COATING	1.000 EA
51XF1032A08	10/32X1/2 HXWSHR HD, SL, TYPE F ,SERATED	4.000 EA
G6FH3800BR	GRINDER GUARD, BIG RED POWDER COATING	1.000 EA
51XF1032A08	10/32X1/2 HXWSHR HD, SL, TYPE F ,SERATED	4.000 EA
HA6113SP	GRINDER FLANGE, STAMPED (PLATED)	2.000 EA
G6AP3002	DM6 WIRE BRUSH WHEELS W64	1.000 EA
HW1000A50	1/2 SAE FLAT WASHERS	3.000 EA
XY5020A12SP	1/2-20 NUT R.H. HEX (NF)	1.000 EA
HA6113SP	GRINDER FLANGE, STAMPED (PLATED)	2.000 EA
G6AP3000A01	A36N5V10 6X3/4X1/2 36GRITB66	1.000 EA
XY5020A62SP	1/2-20 NUT L.H. HEX (NF)X	1.000 EA
G6FH3801BR	GRINDER GUARD COVER, CAST	1.000 EA
51XF1032A08	10/32X1/2 HXWSHR HD, SL, TYPE F ,SERATED	3.000 EA
G6AP1003A01SP	CHIP BREAKER 6" GRINDER PLATED	1.000 EA
G6AP5009A02	6"TOOL REST ASSEMBLY R.H..10 45813107	1.000 EA
83XN2520A10	1/4-20X5/8 CARRIAGE BOLT	1.000 EA
HW1001A25	LOCKWASHER 1/4, ZINC PLT .493 OD, .255 I	1.000 EA
HW1001A25	LOCKWASHER 1/4, ZINC PLT .493 OD, .255 I	1.000 EA

Parts List (continued)		
Part Number	Description	Quantity
HW1000A25	1/4 SAE FLAT WASHER (FS)	1.000 EA
G6AP5001A01A	EYESHIELD ASSY GA10 .35 50046107	1.000 EA
HA6093A01SP	SUPPORT ARM, EYESHIELD FOR 6" GRINDER PL	1.000 EA
HA6094A01SP	CLAMP FOR SUPPORT ARM X PLATED	1.000 EA
83XN2520A16	1/4-20 X 1" LONG CARRIAGE BOLT	1.000 EA
HW1001A25	LOCKWASHER 1/4, ZINC PLT .493 OD, .255 I	1.000 EA
HW1001A25	LOCKWASHER 1/4, ZINC PLT .493 OD, .255 I	1.000 EA
HW1000A25	1/4 SAE FLAT WASHER (FS)	1.000 EA
51XF1032A08	10/32X1/2 HXWSHR HD, SL, TYPE F ,SERATED	3.000 EA
G6AP1003A01SP	CHIP BREAKER 6" GRINDER PLATED	1.000 EA
G6AP5009A01	6" TOOL REST ASSEMBLY L.H.10	1.000 EA
83XN2520A10	1/4-20X5/8 CARRIAGE BOLT	1.000 EA
HW1000A25	1/4 SAE FLAT WASHER (FS)	1.000 EA
HA6093A01SP	SUPPORT ARM, EYESHIELD FOR 6" GRINDER PL	1.000 EA
HA6094A01SP	CLAMP FOR SUPPORT ARM X PLATED	1.000 EA
83XN2520A16	1/4-20 X 1" LONG CARRIAGE BOLT	1.000 EA
HW1000A25	1/4 SAE FLAT WASHER (FS)	1.000 EA
85XU0208A02	2-8 X 1/8 DRIVE PIN	2.000 EA
LB1119	WARNING LABEL	1.000 EA
LB1307	LABEL, WARNING	1.000 EA
LB1030	LABEL, OSHA (ON ROLLS)	1.000 EA
LB1009	LABEL,ROTATION DIRECTION (ON ROLLS)	1.000 EA
LB1008	LABEL, UL	1.000 EA
LB1171	LABEL CARTON 6X6 ON LINE BLANK ROLLS	1.000 EA

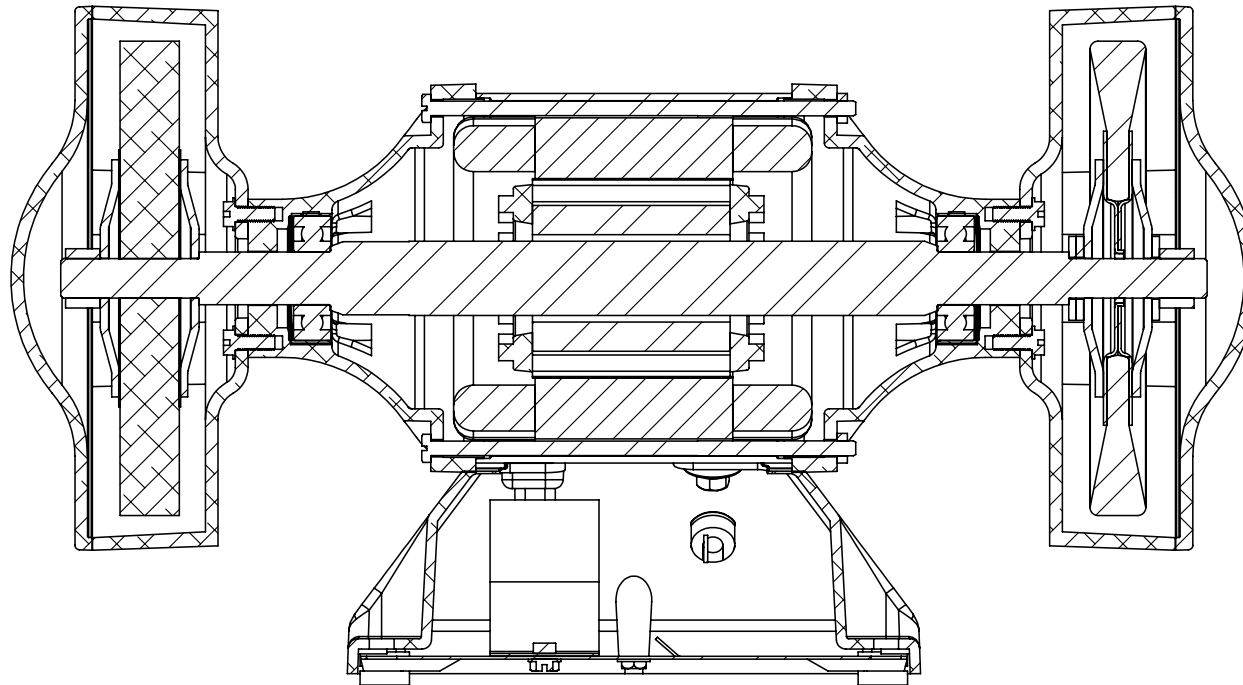
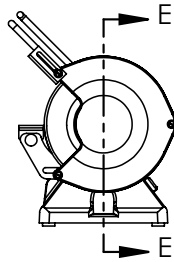
Parts List (continued)		
Part Number	Description	Quantity
MN903	INSTR MANUAL FOR GRINDERS 9/03	1.000 EA
MN909	EYESHIELD MTG INSTR. FOR GA9, GA10 & GA1	1.000 EA
27PA1001	PACKAGING GROUP	1.000 EA

Accessories		
Part Number	Description	Multiplier
GA16RE	PEDESTAL LIGHT INDUSTRIAL,STEEL-RED	A8
GA14R	PEDESTAL FABRICATED STEEL W/SHELVES-RED	A8
GA16R	PEDESTAL IND., CAST IRON 6" - 10" RED	A8
B66	6" 36 GRIT GRINDING WHEEL	A8
B67	6" 60 GRIT GRINDING WHEEL	A8
W64	6" WIRE BRUSH WHEEL	A8
BQ1-015-CC	1PH Bake, NEMA 1,110-125 VAC, 50/60Hz	E7
BQ1-015-CP	1PH Brake, Panel 110-125 VAC, 50/60 Hz	E7





G6-305-17



SECTION E-E

G6-305-17

REV. DESC: ADD CORD LENGTH			
REV: A	VERSION: 01	REVISED: 02:26:13 07/20/2010	TDR: 000000550363
L1-305-9D		MODEL NO. G60305	REF:
		BY: CKMARD0	

**BALDOR ELECTRIC Co.**

LY,G6AC GRIN/BUFF RSB TENV TYPE S W/O EXHAUSTS

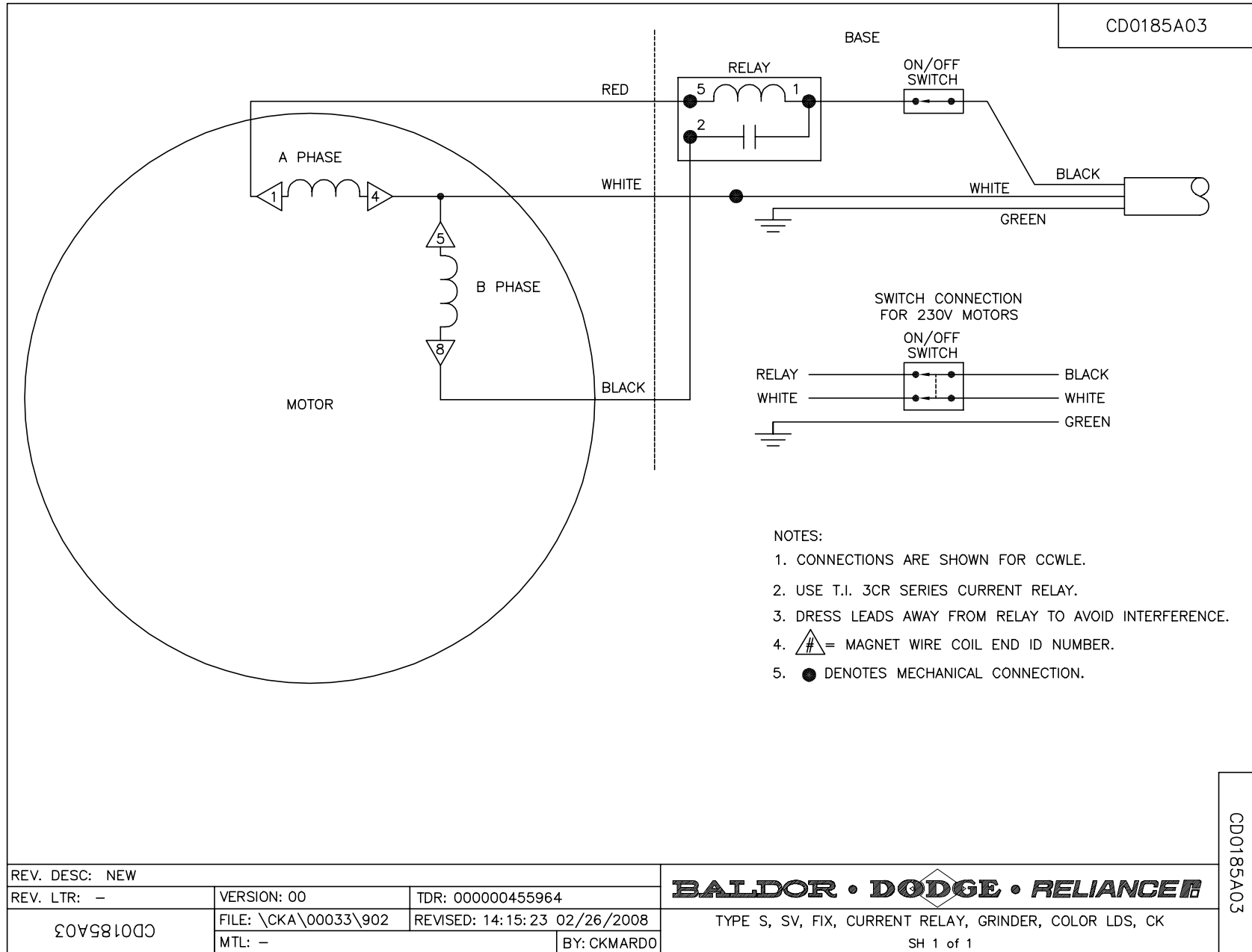
ITEM NO.	PART NUMBER	QTY.
1	G6S80001-00	1
2	G6BA3000	1
3	19XX2510A10	2
4	A06	1
5	A08	8
6	A10	6
7	SP9017	1
8	HW1003A50	1
9	HA3205A50	1
10	HA6053A01	1
11	G6CB4501	1
12	51XN1032A04	2
13	XY1032A02	4
14	XY5013A12	2
15	XY2520A12	6
16	WD4102A01	1
17	51XW1032A06	2
18	G6EP3900A01	2
19	G6SH1003	1
20	BG6203	2
21	HA5100A03	2
22	34RC2020-00	1
23	HA3107A03	2
24	85XU0208A02	2
25	LD0158A02	1
26	RM1012	4
27	G6FH3800	2
28	HA6113	4
29	G6AP3002	1
30	HW1000A50	3
31	HW1000A25	6
32	G6AP3000A01	1
33	G6FH3801	2
34	G6AP1009A01	2
35	HA6048A01	2
36	83XN2520A10	4
37	83XN2520A16	2
38	HW1001A25	6
39	G6AP1003A01	2
40	HA3093A01	2
41	HA6094A01	2
42	NP0523_33Frame	1
43	LB1009	1
44	LB1119	1
45	LB1307_G6	1
46	LB1030	1
47	LB1008	1

REV. DESC: ADD CORD LENGTH	REVISED: 02-26-13 07/20/2010	TDR: 000000550363
REV: A	VERSION: 01	REF:
MODEL NO. G60305	BY: CKMARD0	

<b>BALDOR ELECTRIC Co.</b>	
LY,G6AC GRIN/BUFF RSB TENV TYPE S W/O EXHAUSTS	



REV. DESC: NEW	VERSION: 00	TDR: 000000455964
REV. LTR: -	FILE: \CKA\00033\902	REVISED: 14:15:23 02/26/2008
CD0185A03	MTL: -	BY: CKMARDO

**BALDOR • DODGE • RELIANCE**

TYPE S, SV, FIX, CURRENT RELAY, GRINDER, COLOR LDS, CK

SH 1 of 1

CD0185A03