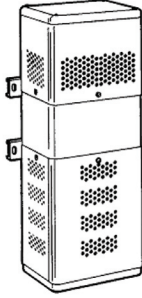


Constant Voltage Sinusoidal Transformers Operating and Service Manual

Introduction

This operating and service manual has been prepared to ensure that your Sola/Hevi-Duty Constant Voltage Transformer can be operated and serviced with minimal effort and involvement. This manual covers Sola/Hevi-Duty Constant Voltage Sinusoidal (CVS) Transformers.



Installation - Mechanical Position

All stock sizes with end housings are intended to be mounted with the silk-screened this side up legend facing upwards. This will place the ventilated capacitor compartment downward, thus providing cooler operation of the capacitor(s). However, all units will give satisfactory performance if mounted in a horizontal position. In either case, the unit should be mounted in an area where it is unlikely that anyone will come into contact with the core surface of the unit.

Mounting Considerations

If a unit is to be wall mounted, the mounting hardware should be sized as in Table 1 below. All mounting holes provided must be used.

Table 1. Mounting Screw/Bolt Sizing

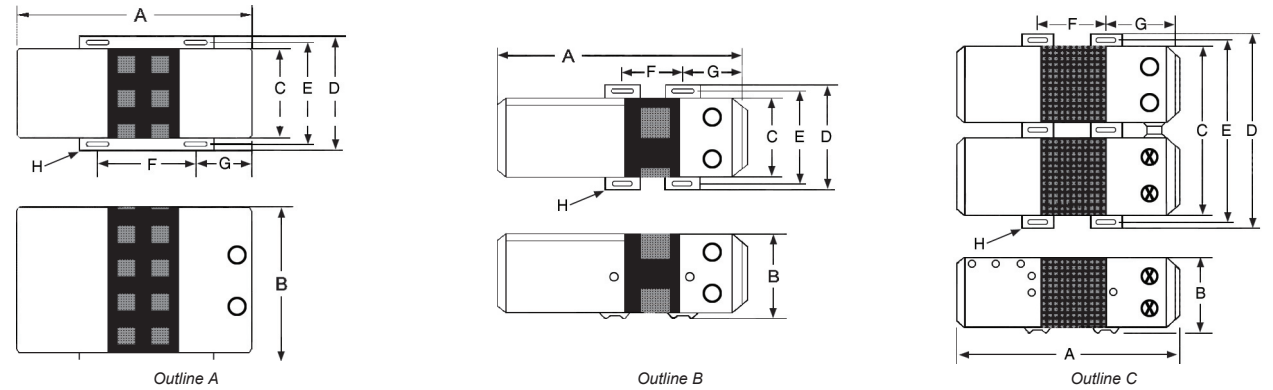
Rated VA of Regulator	Min. Diameter of Steel Mounting Screw
30-120	#10 Machine Screws
250	1/4" bolts
500 to 1000	5/16" bolts
1500 to 10000	3/8" bolts
15000	1/2" bolts

All ratings depend on natural draft air circulation for cooling. They should not be mounted in confined or enclosed spaces unless special provisions have been made for ventilation. Technical Services is available for assistance in doubtful situations (see note on Operating Temperature). Table 2 and Figure 1 show model number with their weight and physical dimensions.

Table 2: CVS Weights and Physical Dimensions, 60 Hz Single Phase

VA	Catalog Number	Outline Drawing	Dimensions								Approx. Shipping Weight (lbs)
			A (in)	B (in)	C (in)	D (in)	E (in)	F (in)	G (in)	H (in)	
30	23-13-030-2	A	6.12	5.19	3.47	4.00	3.50	3.00	1.75	.22 x .59	7
60	23-13-060-2	A	6.94	5.19	3.47	4.00	3.50	3.00	1.75	.22 x .59	9
120	23-22-112-2	A	8.12	5.19	3.47	4.00	3.50	3.00	2.44	.22 x .59	13
250	23-23-125-8	A	10.50	7.56	4.75	5.63	4.75	4.12	3.03	.39 x .69	28
500	23-23-150-8	A	13.00	6.50	8.12	9.00	8.12	5.62	3.06	.38 x .81	37
1000	23-23-210-8	A	17.25	6.81	8.12	9.00	8.12	5.62	5.25	.38 x .81	63
2000	23-23-220-8	B	17.58	9.44	10.56	12.75	11.75	3.88	5.19	.44 x .69	109
3000	23-23-230-8	B	18.96	9.44	10.56	12.75	11.75	5.25	5.19	.44 x .69	142
5000	23-23-250-8	B	28.53	9.44	10.56	12.75	11.75	8.25	8.88	.44 x .69	222
7500	23-28-275-6	C	26.91	9.27	23.55	25.81	24.81	6.62	8.88	.44 x .69	365

Figure 1: Mounting Holes and Dimensions



Installation - Electrical

On 60VA or smaller units, screw-type lugs in the outlet box are marked "input" and "output", and no connection diagram is necessary. Units rated 120 to 15000 VA are provided with multiple inputs for any one, two, three, or four different line voltages, and some have provision for three-wire output. With all units, a connection diagram is attached to the inside lid of the box cover, or inserted in the outlet box. Figure 2 shows typical connections for -8 models, and Figure 3 shows multiple input connections for all other models. Figure 4 shows the output connections for all models.

Figure 2: Electrical Connections for -8 models

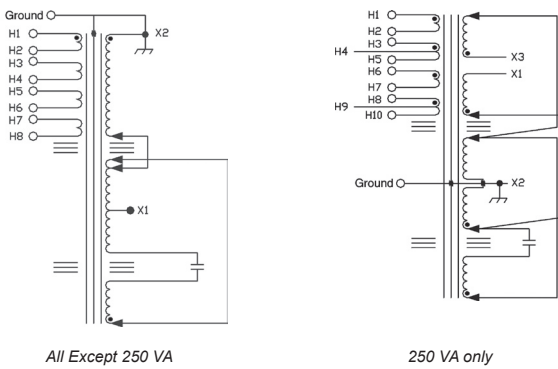
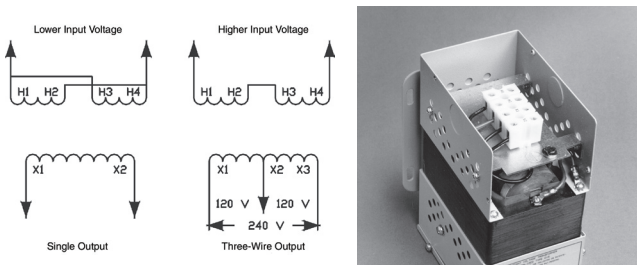


Figure 3: Electrical Connections for Non-8 models



Note: Secondaries are not grounded. Ground X2 per Code.

Three-Phase Power Wiring

If operation from a three-phase source is required, three hardwired regulators may be wired in delta as shown in Figure 4.

Other Considerations

It is desirable to have a switch in the input circuitry for turning off power to the unit when it is not in use. While all CVS transformers are designed for continuous duty, they draw appreciable current regardless of output loading.

The outputs of all Sola/Hevi-Duty standard CVS transformers are isolated from the input lines. Voltage generated by internal leakage currents will occur with respect to ground. This can have undesirable effects in many pieces of electronic equipment. Therefore, if Figure 4 circuit "B" is used, it is suggested that the installer remove X2 grounding on -8 units, then connect all X2 from each phase to one location and ground at that location only. This is not required for circuit "A". This will not affect regulation or the ability to reject power line noise or transients.

Any three stock units having a tap for 190-260 input connections may be connected in delta to a 240-volt, three-phase power supply. Those units equipped with primary tap for 175-235 volts may also be connected in delta to a 208-volt supply. (Terminals to be used are identified on the connection diagram located on the inside face of the outlet box cover.)

All stock production, harmonic-free units now have uniform terminal polarity. This eliminates the need for "phasing out" either input or output connections.

Output must serve three, independent, single-phase loads of the same total volt-ampere rating. Connections should be made in one of two ways shown in Figure 4.

Input & Output Connections - All except 250 VA

Volts	Input	Jumper	Volts	Output
95-130	H1-H2	(H1 + H3 + H6 + H8) (H2 + H5 + H7 + H10)	120	X1 - X2 or X2 - X3
175-235	H1-H4	(H2 + H3) (H7 + H8) (H1 + H6) (H4 + H9)	240	X1 - X3
190-260	H1-H5	(H2 + H3) (H7 + H8) (H1 + H6) (H5 + H10)		
380-520	H1-H10	(H2 + H3) (H5 + H6) (H7 + H8)		

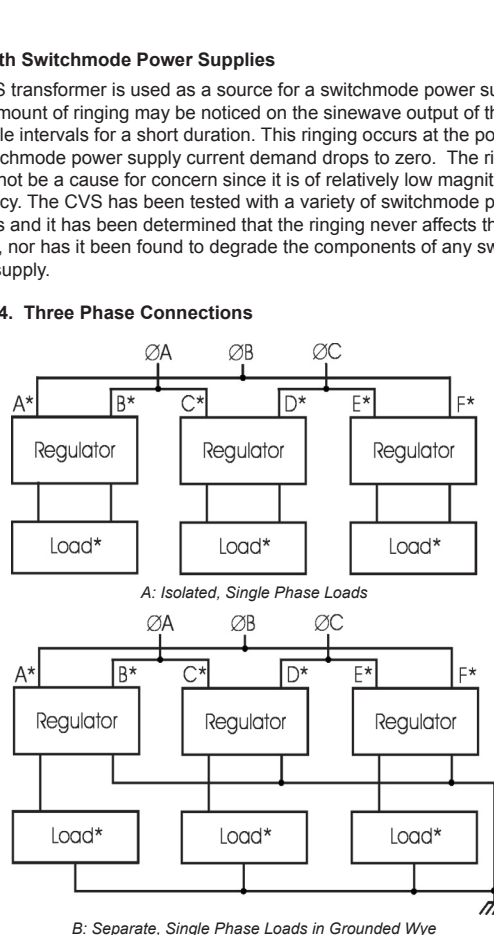
*Note: The entire load up to the rated capacity of the unit can be drawn from either half of the 240 volt winding. It is not necessary to divide or balance the load.

Input Connections - 250 VA Only

Volts	Input	Jumper	Volts	Output
95-130	H1-H2	(H1 + H3 + H5 + H7) (H2 + H4 + H6 + H8)	120	X1 - X2
190-260	H1-H4	(H2 + H3) (H6 + H7) (H1 + H5) (H4 + H8)		
380-520	H1-H8	(H2 + H3) (H4 + H5) (H6 + H7)		

Primary Voltage			Interconnect	Connect Lines To
30 & 60 VA	120 VA	7500 VA		
120	N/A	N/A	Note: H3 & H4 are not used	H1 & H2
N/A	120	240	H1 to H3 H2 to H4	H1 & H4
N/A	240	480	H2 to H3	H1 & H4
Secondary Voltage			Interconnect	Connect Lines To
30 & 60 VA	120 VA	7500 VA		
120	120	N/A		X1 & X2
N/A	N/A	120		X1 & X2 or H3 & X2
N/A	N/A	240		X1 & X3

Figure 4: Three Phase Connections



Three-Phase Power Wiring

If operation from a three-phase source is required, three hardwired regulators may be wired in delta as shown in Figure 4.

Use With Switchmode Power Supplies

If a CVS transformer is used as a source for a switchmode power supply, a slight amount of ringing may be noticed on the sinewave output of the CVS at half cycle intervals for a short duration. This ringing occurs at the point when the switchmode power supply current demand drops to zero. The ringing should not be a cause for concern since it is of relatively low magnitude and frequency. The CVS has been tested with a variety of switchmode power supplies and it has been determined that the ringing never affects the D outputs, nor has it been found to degrade the components of any switchmode power supply.

Figure 4: Three Phase Connections

Table 3. Recommended Wire Sizes and Fusing

CVS VA Rating	Input			Output			
	Rated Volts	Req. Circuit Protection (In Amps.)	Min. Gauge 90°C Wire	Rated Volts	Min. Gauge 90°C Wire		
30	95-130	1	14	120	14		
60		2		120	14		
120	95-130	3	14	120	14		
	190-260	6	14	120	14		
250	190-260	3					
	380-520	1	14	120	14		
500	95-130	10					
	175-235	6					
	190-260	6					
	380-520	3	14	120	14		
1000	95-130	15					
	175-235	10					
	190-260	10					
	380-520	6					
	95-130	30	10	120	10		
2000	175-235	20	12			208	14
	190-260	15	14			240	14
	380-520	10	14				
	95-130	45	8	120	8		
3000	175-235	25	10			208	12
	190-260	25	10			240	12
	380-520	15	14				
	95-130	80	4	120	8*		
5000	175-235	40	8			208	10
	190-260	40	8			240	10
	380-520	20	12				
	190-260	60	6	120	4		
7500	380-520	30	10	208	8		
				240			

* Leads in the wiring department must be sleeved with 105°C sleeving.

Multiple Operation

Two CVS transformers with the same rating may be connected with their inputs and outputs in parallel. The regulating action will usually be excellent although the standard ±1% cannot be guaranteed. Series connection of either input or output is not recommended.

Use With Rectifier Loads

The ratio of crest to rms values is approximately 1.3 at rated load, and slightly lower at fractional loads. This factor must be considered when all or a portion of the voltage is rectified. The rectified voltage will now be 10 - 15% lower than if connected directly to a sinewave source.

Operation With Motor Loads

Because of the current limiting effect described later, special attention should be given to motor applications. In general, the CVS must have a load rating nearly equal to the maximum power drawn during the starting cycle. This may run from two to eight times the normal running rating of the motor. In doubtful cases, it is advisable to measure the actual starting current.

Cascade Operation

For applications requiring close regulation, two CVS transformers may be operated in "cascade". The output of the combination will show little or no detectable change arising from supply line variations of up to ±15%. However, the combined units will still be frequency sensitive (as discussed under Effect of Frequency, page 15). Since even good power systems may vary in frequency by 0.1% or more, the output of a Sola/Hevi-Duty cascade combination may vary by up to 0.25% from this cause alone. In actual practice, then, a cascade combination is highly recommended for special applications requiring regulation in the general region of ±0.25%. If the tandem setup is to be operated at near full rating, then the Type CVS "driver" unit should be one standard size larger than the driven unit, in order to overcome the losses in the latter.

Constant Voltage Sinusoidal Transformers Operating and Service Manual

Physical Characteristics of Operation

Operating Temperature

Standard units are designed to operate in ambient temperatures of minus 20°C to plus 50°C. In operation, a temperature rise will occur whether or not the transformer is serving load. Normally, this rise may fall anywhere in the range of 45°C to 110°C, depending on the type and rating. In any case, the maximum operating temperature at an ambient of 50°C is always within safe operating limits for the class of insulating material used. (Special units can be designed for lower heat rise or wider ambient temperature range.)

External Magnetic Fields

In almost all applications, this effect may be disregarded. On critical applications, care should be exercised in the orientation of the core with respect to critical circuits, in order to minimize the effect of the field.

In certain rare cases in which the transformer is connected to, or mounted near, high gain audio frequency circuits, special attention may need to be given to adequate physical spacing and/or orientation of the CVS transformer to avoid interaction with the audio circuits. Sola/Hevi-Duty's Technical Service Department (800-377-4384) may be able to offer suggestions for such problems.

Electrical Characteristics of Operation

Checking With Voltmeters

All checks on output voltages should be made with a true RMS voltmeter such as a Fluke model 8020 A. Rectifier-type voltmeters will not give accurate readings due to the small amount of harmonics present in CVS output.

Load Regulation

Changes in output voltage resulting from changes in resistive loads are usually small - running one percent or less in the larger units. Table 4 shows average values for output voltages.

**Table 4: Output Voltage Changes – 20% Load to Full Load
(100% Power Factor – Nominal Input Voltage)**

Transformer VA	%Change - Output Voltage
31-120	approximately 3%
121-150	approximately 2%
151-over	approximately 1%

Phase Shift

The phase difference that exists between input voltage and output voltage is in the range of about 120° to 140° at full load. This phase difference varies with the magnitude of the load and, to a lesser extent, with changes in line voltage.

Output Wave Shape

The CVS transformers all include harmonic-neutralizing circuitry. These units typically have less than 3% total harmonic distortion at full load and less than 4.5% at no load.

Response Time

An important advantage of the Sola/Hevi-Duty principle of static magnetic regulation is its exceedingly fast response time compared with other types of AC regulators. Transient changes in supply voltage are usually corrected with a Sola/Hevi-Duty CVS with 1 1/2 cycles or less, the output voltage will not fluctuate more than a few percent during this interval.

Isolation

Since the input and output are separated not only electrically, but also physically, by a magnetic shunt, the Sola/Hevi-Duty CVS has a stronger isolating effect than a conventional transformer. This may often eliminate the need for static shields.

Factors Affecting Operation

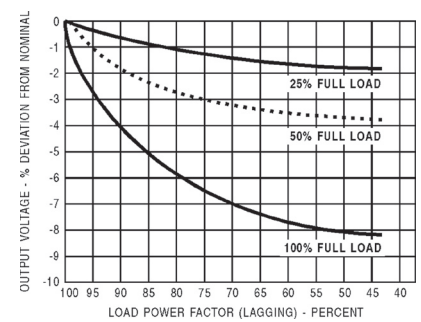
Input Characteristics

As the Sola/Hevi-Duty CVS transformer includes a resonant circuit that is fully energized whether or not a load is present, the input current at no load or light loads may run 50% or more of the full-load primary current. As a result, the temperature of the unit may rise to near full-load levels, even at light or nonexistent loads. Input power factor will average 90-100% at full load, but may drop to approximately 75% at half load and 25% at no load. In any case, it is always leading.

Effect of Load Power Factor

The median value of output voltage will vary from the nameplate rating of the load if a power factor other than that for which the unit was designed is used. Load regulation will also be relatively greater as the inductive load power factor is decreased (see Figure 5). However, the resulting median values of the output voltage will be regulated against supply line changes at any reasonable load or power factor.

Figure 5: Median Output Voltage vs. Load Power Factor



Change in "Median" Output Voltage vs. Load Power Factor at various loads

10

11

12

Servicing

Routine Maintenance

As the Sola/Hevi-Duty CV Transformer is a simple rugged device without moving parts or manual adjustments, no servicing or maintenance is needed in the ordinary sense. The percentage of possible poor performance or failure is exceedingly low. In any case of apparent poor performance, the user is urged to check the following points immediately:

Checklist on Factors Affecting Performance

- A. Nominal Voltage Too High
 1. The load may be considerable less than full rating. (See "Load Regulation").
 2. The load may have a leading power factor.
- B. Nominal Voltage Too Low
 1. Load power factor may be lagging. (See Load Regulation).
 2. Unit may be slightly overloaded. (See Current Limitation).
- C. Does Not Regulate Closely
 1. Unit may be slightly overloaded. (See Current Limitation).
 2. Actual line voltage swings may be outside the rated coverage of unit, particularly on the low side.
 3. On varying loads, a certain amount of load regulation may be mixed with the line voltage regulating action. (See Load Regulation).
- D. Output Voltage Very Low (20-60V)
 1. Unsuspected or unplanned overloads of substantial size may occur intermittently (motor-starting currents, solenoid inrush currents, etc.). (See Current Limitation).
 2. One or more capacitor units in the CVS transformer may be defective. (See Field Replacement of Capacitors)

14

15

Checklist on Factors Affecting Performance - continued

- E. No Output Voltage At All
 1. Check power source breakers or fuses.
 2. Check continuity between input terminals, and also between output terminals.
 - G. Transformer Operating Temperature
 1. These transformers are designed to operate at high flux density, and hence, relatively high temperatures (see Operating Temperature). After connection to line for a half hour or so, the exposed core structure may be too hot to touch with bare hand, but this is normal and need give no concern. However, if there is any indication of oil or compound leakage, unit should be returned to factory (see below).
- Note**
In case the transformer is operating but does not appear to have the correct output, it is very helpful to apply the following test:
1. Disconnect the working load.
 2. Connect a dummy load of lamps, heaters, or other resistive load substantially equal to the full load rating of transformers, directly across its output terminals.
 3. Measure the output voltage of the CVS using a true RMS type voltmeter directly across its output terminals.

This test will usually establish whether the apparent poor performance is due to a fault in the CVS transformer or to some peculiarity of the working load. Sola/Hevi-Duty's Technical Service Department will then be in far better position to give helpful service advice or suggest factory test or service as indicated.

Factory Test and Inspection

If the field test suggested earlier indicated that the CVS transformer itself may be faulty, a full report of the difficulty should be communicated to the place of purchase, with a request for permission for return. The Authorized Sola/Hevi-Duty Distributor may then suggest further helpful field tests, or authorize return for inspection at once. A Return Authorization Number will be issued. This number must appear on the outside of the shipping container. Otherwise the shipment will not be accepted.

Field Replacement of Capacitors

Capacitors used in all CVS transformers are of the highest commercial grade available. Nevertheless, there is a certain small percentage of failure. Sola/Hevi-Duty's guarantee includes free replacement at the factory of any capacitor unit that fails within one year from date of purchase. Older units can be replaced at moderate charge.

It may be possible to test and identify defective capacitors in the field, and to make field replacement with new units shipped from the factory. In all such cases, factory advice and cooperation should be requested in advance.

Warranties

Sola/Hevi-Duty warrants its standard catalog products to be free from defects in materials and workmanship and agrees to correct by repair or replacement, at the option of Sola/Hevi-Duty, products that may fail in service provided the product has been installed, operated and maintained in accordance with accepted industry practice.

Warranty begins at the date of manufacture and is according to the following schedule:

1. Standard catalog transformer and single phase, power conditioning products – 10 years plus an additional 2 years if online registration (<http://www.solaheviduty.com/support/Warranty.htm>) is completed within 14 days after installation.
2. Products manufactured to a purchaser's specifications – 1 year.

16

17

Return Policy

Most instances of initial failure to operate properly can be remedied through a telephone conversation between the user and Technical Service. If it is determined that a product must be returned, contact your local Sola/Hevi-Duty distributor for a Return Authorization. If the distributor is unknown, contact Customer Service at (877) 999-7652 or customer.service@sola-hevi-duty.com for instructions.

All returns to the Sola/Hevi-Duty factory must have a Return Authorization (R.A.#). The following information required for a Return Authorization (R.A.#):

1. Sola catalog number and/or model number.
2. Serial number.
3. Company name, address, phone number and contact person.
4. Proof of purchase from Distributor.
5. Description of problem.

For proper handling upon receipt at Sola/Hevi-Duty, the R.A.# must be clearly placed in several locations on the outside of the package. Sola/Hevi-Duty is not responsible for damage on returned goods not packaged properly or customer-abused units.

Constant Voltage Sinusoidal Transformers Operating and Service Manual



Sola/Hevi-Duty – The Power Quality Experts

Toll-Free (800) 377-4384
FAX: (800) 367-4384
www.solaheviduty.com

Transformadores de Voltaje Constante Sinusoidal

Manual de Operación y Servicio

Operación en Cascada

Para aplicaciones en donde se requiera una regulación muy precisa, se pueden operar dos transformadores CVS en "cascada". La salida de la combinación mostrará ya sea nulas o ligeras modificaciones cuando haya variaciones en la línea de alimentación de hasta un $\pm 15\%$. Sin embargo, las unidades combinadas serán sensibles a la frecuencia (como se discute en los Efectos de la Frecuencia, en la página 15). Ya que aún los buenos sistemas de potencia pueden variar en frecuencia en un 0.1% o más, la salida de una combinación en cascada de Sola/Hevi-Duty puede variar hasta un 0.25% únicamente por esta causa. En la práctica real, por lo tanto, se recomienda ampliamente una combinación en cascada para aplicaciones especiales que requieran una regulación en la región general de un $\pm 0.25\%$. Si el arreglo se va a operar cercano a la capacidad, entonces la unidad Tipo CVS "manejadora" debe ser una medida estándar mayor que la unidad manejada, con el objeto de evitar pérdidas esta última unidad.

Características Físicas de Operación

Temperatura de Operación

Las unidades estándar están diseñadas para operar en temperaturas ambiente de menos 20°C hasta más de 50°C. En operación, ocurrirá un aumento de temperatura aún cuando el transformador no esté alimentando la carga. Normalmente, este aumento puede caer en cualquier punto dentro del rango de 45°C hasta 110°C, dependiendo del tipo y la capacidad. En cualquier caso, la temperatura máxima de operación en un ambiente de 50°C está siempre dentro de límites de operación seguros para la clase del material de aislamiento usado. (Se pueden diseñar unidades especiales que tengan un menor aumento de calor o un rango de temperatura ambiente más amplio.)

10

Efecto del Factor de Potencia de carga

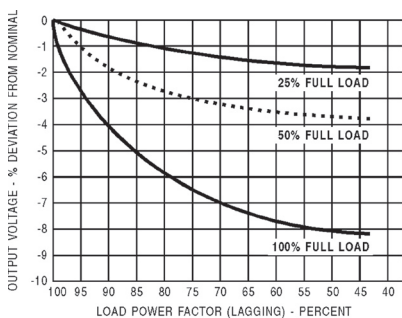
El valor medio del voltaje de salida variará de la capacidad de placa de la carga si existe otro factor de potencia diferente para el cual se diseñó la unidad. La regulación de la carga también será relativamente mayor cuando el factor de potencia de la carga se decreta (vea la Figura 5). Sin embargo, los valores medios resultantes del voltaje de salida serán regulados contra los cambios en la línea de alimentación a cualquier carga razonable o factor de potencia.

Figura 5: Salida de Voltaje Medio vs. Factor de Potencia de la Carga Efecto de la Frecuencia

Los cambios en la frecuencia del voltaje de alimentación se verán directamente reflejados en el voltaje de salida. Un cambio de aproximadamente 1.8% en el voltaje de salida ocurrirá por cada 1% de cambio en la frecuencia de entrada en la misma dirección en que la frecuencia cambie.

Efecto de la Temperatura

El voltaje de salida mostrará un pequeño cambio según la unidad se va calentando a temperaturas de operación estable a una temperatura ambiente constante. Este cambio puede ser de 1 ó 2% dependiendo de la capacidad de la unidad en VA. A una temperatura ambiente estable, el voltaje de salida cambiará ligeramente con variaciones en la temperatura ambiente. Esta variación será de aproximadamente 1% por cada 40°C de cambio en la temperatura.



Cambios en Voltaje de Salida "Medio" vs. Factor de Potencia de la Carga para varias cargas

13

Nota:

En caso de que el transformador esté operando pero no parece tener la salida correcta, es de mucha ayuda realizar la siguiente prueba:

1. Desconecte la carga de trabajo.
2. Conecte una carga de prueba de lámparas, calentadores u otra carga resistiva sustancialmente igual al total de la carga nominal del transformador, directamente a través de sus terminales de salida.
3. Mida el voltaje de salida del CVS usando un voltímetro de RMS verdadero directamente a través de sus terminales de salida.

Esta prueba usualmente establecerá si el aparente bajo desempeño se debe a una falla en el transformador CVS o de alguna peculiaridad de la carga de trabajo. El Departamento de Servicio Técnico de Sola/Hevi-Duty estará entonces en mejor posición para dar un consejo o sugerir una prueba en la fábrica o servicio según se indique.

Prueba de Fábrica e Inspección

Si la prueba de campo sugerida anteriormente indica que el transformador CVS puede estar defectuoso, se debe comunicar un reporte completo de la dificultad al lugar donde se realizó la compra, junto con una solicitud de permiso de devolución. El Distribuidor Autorizado Sola/Hevi-Duty puede entonces sugerir más pruebas de campo o en su caso autorizar la devolución para inspección en ese momento. Se generará un Número de Autorización de Devolución. Este número debe aparecer en la parte exterior del contenedor de envío. De otra manera el envío no será aceptado.

Reemplazo de los Capacitores en Campo

Los capacitores que se usan en todos los transformadores CVS son del más alto grado comercial disponible. Sin embargo, existe un cierto porcentaje pequeño de falla. La garantía de Sola/Hevi-Duty incluye el reemplazo gratuito en la fábrica de cualquier capacitor que falle dentro del primer año desde la fecha de compra. El reemplazo en unidades que tengan más tiempo puede realizarse con un costo moderado.

Es posible probar e identificar capacitores defectuosos en campo, y hacer el reemplazo con unidades nuevas enviadas de la fábrica. En todos estos casos, el consejo de la fábrica y la cooperación deben solicitarse con anterioridad.

16

Campos Magnéticos Externos

En la mayoría de las aplicaciones, este efecto puede ser ignorado. En aplicaciones críticas, se debe tener cuidado en la orientación del núcleo con respecto a los circuitos críticos, con el objeto de minimizar el efecto del campo.

En ciertos caso muy raros en los cuales el transformador se conecta a, o se monta cerca de circuitos de alta ganancia de frecuencia de audio, puede ser necesario prestar especial atención a un espaciado físico adecuado y/o la orientación del transformador CVS para evitar interacción con los circuitos de audio. El Departamento de Servicios Técnicos de Sola/Hevi-Duty (800-377-4384 or 847-268-6000) está capacitado para ofrecer sugerencias para este tipo de problemas.

Características Eléctricas de Operación

Midiendo con Voltímetros

Todas las mediciones de los voltajes de salida deben hacerse con un voltímetro de RMS verdadero como por ejemplo el modelo 8020 A de Fluke. Los voltímetros de tipo rectificador no darán mediciones precisas debido a la pequeña cantidad de armónicas presentes en la salida del CVS.

Regulación de Carga

Los cambios en el voltaje de salida como resultado de los cambios en cargas resistivas son usualmente pequeños – de la magnitud de uno por ciento en o menor en las unidades más grandes. La Tabla 4 muestra valores promedio para los voltajes de salida.

Tabla 4. Cambios en los Voltajes de Salida – 20% de Carga a Plena Carga (100% Factor de Potencia – Voltaje de Entrada Nominal)

VA del Transformador	%Cambio- Voltaje de Salida
31-120	aproximadamente 3%
121-150	aproximadamente 2%
151-más	aproximadamente 1%

11

Limitación de Corriente

Cuando la carga se incrementa más allá del valor nominal del transformador, se alcanza un punto donde el voltaje de salida se colapsa repentinamente y no regresará a su valor normal hasta que la carga se libere al menos parcialmente. En condición de un corto circuito directo, La corriente de carga se limita a aproximadamente 150-200% del valor nominal a plena carga y la potencia de entrada en watts a menos del 10% de lo normal. Un CVS se protegerá a sí mismo al igual que a la carga contra daños ocasionados por corrientes de falla excesivas. No es necesario colocar fusibles en los circuitos de carga.

Tolerancia de Fabricación

El voltaje nominal de salida de cada Transformador de Voltaje Constante de línea es ajustado en la fábrica para que tenga un valor de entre más 2%, menos 0% del valor nominal (de placa) con un voltaje nominal de la frecuencia nominal aplicado en la entrada, y a plena carga con un factor de potencia del 100% aplicado a la salida. Este ajuste se hace con la unidad a una temperatura sustancialmente similar a la temperatura ambiente (25°C)

Servicio

Mantenimiento de Rutina

Debido a que el Transformador de VC de Sola/Hevi-Duty es un dispositivo simple y robusto sin ninguna parte móvil o ajustes manuales, no se requiere servicio o mantenimiento en el sentido ordinario. El porcentaje de un posible desempeño pobre o falla es excesivamente bajo. En cualquier caso en que se presente un desempeño pobre, se le insta al usuario a revisar los siguientes puntos urgente e inmediatamente:

Lista de Factores que Afectan el Desempeño

- A. Voltaje Nominal Demasiado Alto
 1. La carga puede ser considerablemente menor que la carga nominal plena. (Vea "Regulación de la Carga").
 2. La carga puede tener un factor de potencia en adelanto.
- B. Voltaje Nominal Demasiado Bajo
 1. El factor de potencia puede estar en atraso. (Vea "Regulación de la Carga").
 2. La unidad puede estar ligeramente sobrecargada. (Vea Limitación de Corriente).

14

Garantías

Sola/Hevi-Duty garantiza sus productos de catálogo estándar de estar libres de defectos en materiales y mano de obra y está de acuerdo en corregir ya sea por reparación o por reemplazo, a elección de Sola/Hevi-Duty, los productos que fallen en servicio considerando que el producto ha sido instalado, operado y mantenido se acuerdo con prácticas aceptadas de la industria.

La garantía comienza en la fecha de fabricación y se rige de acuerdo a la siguiente cédula:

1. Productos estándar monofásicos, acondicionadores de potencia – 10 años.

Política de Devolución

En la mayoría de los casos una falla inicial de operación correcta se puede remediar a través de una conversación telefónica entre el usuario y Servicio Técnico. Si se determina que un producto se debe devolver, contacte a su distribuidor local de Sola/Hevi-Duty para obtener una Autorización de Devolución. Si se desconoce el distribuidor, contacte a Servicio a Clientes al (877) 999-7652 para recibir instrucciones.

Todas las devoluciones a la fábrica de Sola/Hevi-Duty deben tener una Autorización de Devolución (R.A.#). Se requiere la siguiente información para una Autorización de Devolución (R.A.#):

1. El número de catálogo y/o de modelo de Sola.
2. Número de Serie.
3. Nombre de la compañía, dirección, número de teléfono y persona a quien contactar.
4. Prueba de compra del Distribuidor.
5. Descripción del problema.

Para un manejo adecuado cuando se reciba en Sola/Hevi-Duty, el R.A.# debe estar claramente colocado en varios lugares en la parte exterior del empaque. Sola/Hevi-Duty no se hace responsable por daños en productos devueltos que no hayan sido empacados correctamente o unidades que hayan sido abusadas por el cliente.

17

Corrimiento de Fase

La diferencia en la fase que existe entre el voltaje de entrada y de salida está en el rango de cerca de 120° hasta 140° a plena carga. Esta diferencia de fase varía con la magnitud de la carga y, en una cantidad menor, con los cambios en el voltaje de línea.

Forma de Onda de la Salida

Todos los transformadores CVS incluyen circuitería para neutralizar las armónicas. Estas unidades típicamente tienen menos de 3% total de distorsión armónica a plena carga y menos de un 4.5% sin carga.

Tiempo de Respuesta

Una ventaja importante del principio de regulación magnética estática de Sola/Hevi-Duty es su tiempo de respuesta excesivamente rápido comparado con otros tipos de reguladores de CA. Los cambios por transientes en el voltaje de alimentación son usualmente corregidos con un CVS de Sola/Hevi-Duty CVS con 1 1/2 ciclos o menos, el voltaje de salida fluctuará ahora que unos pocos puntos porcentuales durante este intervalo.

Aislamiento

Debido a que la entrada y la salida están separadas no sólo eléctricamente sino físicamente, a través de una derivación magnética, el CVS de Sola/Hevi-Duty tiene un efecto de aislamiento más fuerte que un transformador convencional. Esto a menudo elimina la necesidad de utilizar blindajes estáticos.

Factores que Afectan la Operación

Características de Entrada

Como los transformadores CVS de Sola/Hevi-Duty incluyen un circuito resonante que se energiza completamente con o sin carga presente, la corriente de entrada sin carga o con cargas muy ligeras puede andar en el orden de 50% o más de la corriente del primario a plena carga. Como resultado, la temperatura de la unidad puede subir a niveles que alcanza a plena carga, aún con carga ligera o carga inexistente. El factor de potencia de entrada tendrá un valor promedio de 90-100% a plena carga, pero puede caer aproximadamente a 75% a media carga y a un 25% sin carga. En cualquier caso siempre será en adelanto.

12

Lista de Factores que Afectan el Desempeño - continúa

- C. No Regula con Precisión
 1. La unidad puede estar ligeramente sobrecargada. (Vea Limitación de Corriente).
 2. La variaciones del voltaje de línea pueden estar fuera de la cobertura nominal de la unidad, particularmente del lado hacia abajo.
 3. En cargas que varían, se pueden estar mezclando una cierta cantidad de regulación de carga con la acción reguladora del voltaje de línea. (Vea "Regulación de la Carga").
- D. Salida de Voltaje Muy Baja (20-60V)
 1. Pueden ocurrir intermitentemente sobrecargas insospechadas o no planeadas de tamaño substancial (corrientes de arranque de motor, corrientes de arranque en solenoides, etc.). (Vea Limitación de Corriente).
 2. Uno o más de los capacitores en el transformador CVS pueden estar defectuosos. (Vea Reemplazo de los Capacitores en Campo)
- E. No hay Salida de Voltaje
 1. Revise los interruptores termomagnéticos de potencia o fusibles.
 2. Revise que hay continuidad entre las terminales de entrada así como las de salida.
- F. Temperatura de Operación del Transformador
 1. Estos transformadores están diseñados para operar a una alta densidad de flujo, y por lo tanto, relativamente altas temperaturas (Vea Temperatura de Operación). Después de la conexión a la línea por media hora o algo así, la estructura expuesta del núcleo puede estar muy caliente para tocarla con la mano sin ninguna protección, pero esto es normal y no debe causar preocupación. Sin embargo, si existe alguna indicación de fuga de aceite o compuesto, la unidad debe ser regresada a la fábrica (vea abajo).

15

Transformadores de Voltaje Constante Sinusoidal

Manual de Operación y Servicio



Sola/Hevi-Duty – The Power Quality Experts

Llamada Gratis: (800) 377-4384
Internacional: (847) 268-6000
FAX: (800) 367-4384
www.solaheiduty.com