

STV100K Series General Specifications

Surge Protective Device



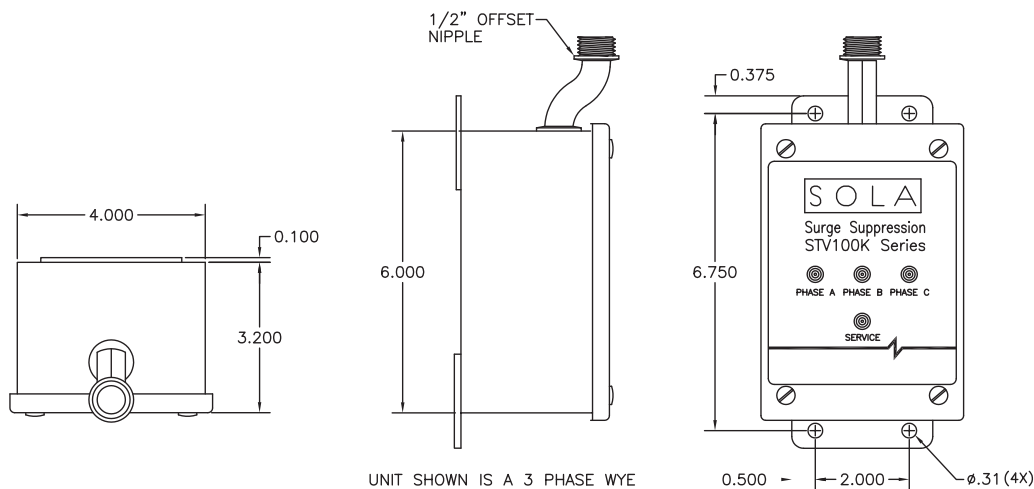
General Specifications

Maximum Continuous Operating Voltage	125% of the nominal level for 120 V; 115% for all other input voltages
Short Circuit Current Rating (SCCR)	65 kAIC
Surge Current Rating	100 kA per phase
Operating Frequency Range	47–63 Hz
EMI/RFI Noise Rejection	40 dB maximum
Location Type	Type 2
Nominal Discharge Current (I_N)	3 kA
Status Indication	Red and green LEDs, audible alarm, Form C contact relay
Certifications	UL 1449 3 rd edition, cULus
Standard Enclosure	Metal, NEMA 12
Weight	8.0 lb. (3.63 kg) maximum
Warranty	10 years

UL 1449 Third Edition, Type 2 Voltage Protection Ratings

Configuration	Model									
	STV100K-10N	STV100K-24L	STV100K-10S	STV100K-10Y	STV100K-23Y	STV100K-27Y	STV100K-24D	STV100K-48D	STV100K-10D4	STV100K-24D4
Line to Neutral	600 V	N/A	600 V	600 V	1200 V	1200 V	N/A	N/A	600 V	1200 V
Line to Line	N/A	1000 V	1000 V	1000 V	2000 V	2000 V	2000 V	2000 V	1000 V	2000 V
Line to Ground	700 V	1200 V	700 V	700 V	1200 V	1200 V	1200 V	2000 V	700 V	1200 V
Neutral to Ground	700 V	N/A	700 V	700 V	1200 V	1200 V	N/A	N/A	700 V	1200 V
High Leg to Neutral	N/A	N/A	N/A	N/A	N/A	N/A	N/A	N/A	1200 V	2000 V
High Leg to Line	N/A	N/A	N/A	N/A	N/A	N/A	N/A	N/A	1500 V	2500 V
High Leg to Ground	N/A	N/A	N/A	N/A	N/A	N/A	N/A	N/A	1200 V	2000 V

Dimensional Drawing (inches)



1.800.377.4384 • www.solahd.com

While every precaution has been taken to ensure accuracy and completeness in this spec, EGSElectrical Group, LLC. assumes no responsibility, and disclaims all liability for damages resulting from use of this information or for any errors or omissions. The SolaHD and Emerson logos are registered in the U.S. Patent and Trademark Office. All other product or service names are the property of their registered owners. ©2011 EGSElectrical Group, LLC. All rights reserved. Specifications are subject to change without notice.