

## Datasheet - BN 75-10Z-1391

Magnetic reed switch / BN 75



- with Pre-wired cable
- Non-contact principle
- 1 Reed kontakts
- Long life
- 80 mm x 99,5 mm x 55 mm
- Float switch
- Thermoplastic enclosure
- Available with M12 plug-in connector and pre-wired cable

(Minor differences between the printed image and the original product may exist!)

### Ordering details

Product type description	BN 75-10Z-1391
Article number	101055744
EAN code	4030661009421

### Approval

Approval	-
----------	---

### Global Properties

Product name	BN 75
Standards	IEC/EN 60947-5-1
Compliance with the Directives (Y/N) 	Yes
Active principle	Magnetic drive
Materials	
- Material of the housings	Plastic, glass-fibre reinforced thermoplastic
- Material of the active surface	Plastic
Housing construction form	Special construction
Weight	122 g

### Mechanical data

Design of electrical connection	Pre-wired cable
---------------------------------	-----------------

Mechanical life	1.000.000.e+9 operations
Electrical lifetime	1.000.000 operations ... 1.000.000.e+9 operations operations
hysteresis	approx. 3 mm
Type of actuation	Magnet
restistance to shock	-
Bounce duration	0,3 ms ... 0,6 ms
Latching (Y/N)	No
bias magnet (Y/N)	No

### Ambient conditions

---

Ambient temperature	
- Min. environmental temperature	-25 °C
- Max. environmental temperature	+80 °C
Protection class	IP67

### Electrical data

---

Design of control element	Normally open contact (NO)
Number of shutters	1 piece
Number of openers	0 piece
Voltage type	VAC
Dielectric strength	> 600 VAC (50 Hz)
Switching voltage	max. 220 VAC
Switching current	max. 1 A
Switching capacity	max. 60 VA / W

### Outputs

---

Design of control output	Reed kontakts
--------------------------	---------------

### LED switching conditions display

---

LED switching conditions display (Y/N)	No
--	----

### ATEX

---

Explosion protection categories for gases	None
Explosion protected category for dusts	None

### Dimensions

---

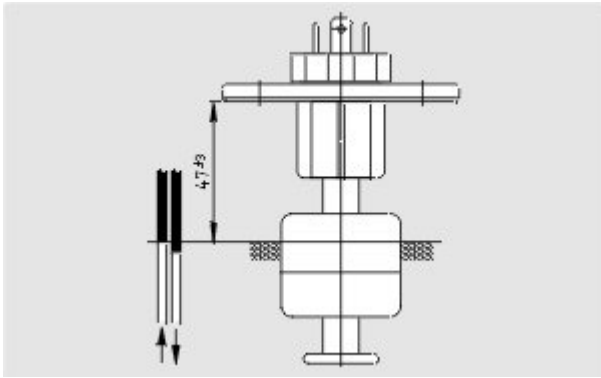
Dimensions of the sensor	
- Width of sensor	80 mm
- Height of sensor	99.5 mm
- Length of sensor	55 mm

### notice




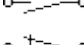

---

Depending on how the floater is assembled, either a NO contact or a NC contact is possible.  
The indicated switching points are applicable for water

### Diagram



Note Diagram

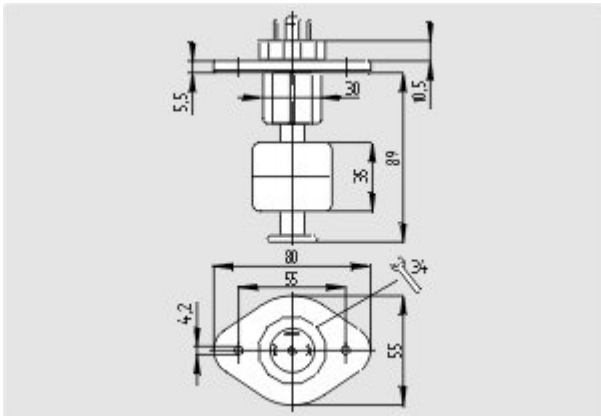
-  positive break NC contact
-  active
-  no active
-  Normally-open contact
-  Normally-closed contact

## Documents

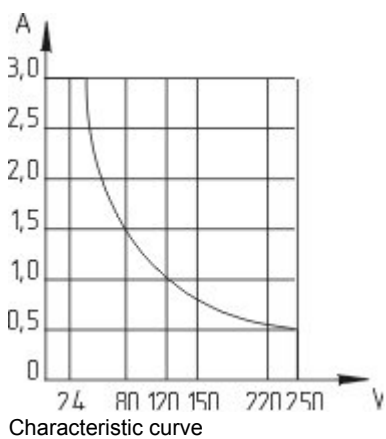
**Declaration of conformity** (de) 188 kB, 10.07.2012

Code: \_\_bn\_p01

## Images



Dimensional drawing (basic component)



Characteristic curve

The data and values have been checked thoroughly. Technical modifications and errors excepted.  
Generiert am 12.02.2013 - 16:35:08h Kasbase 2.2.2.F DBI

