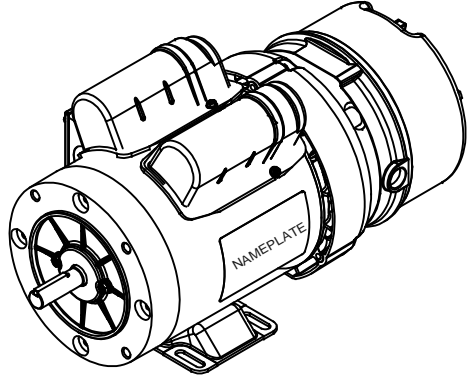
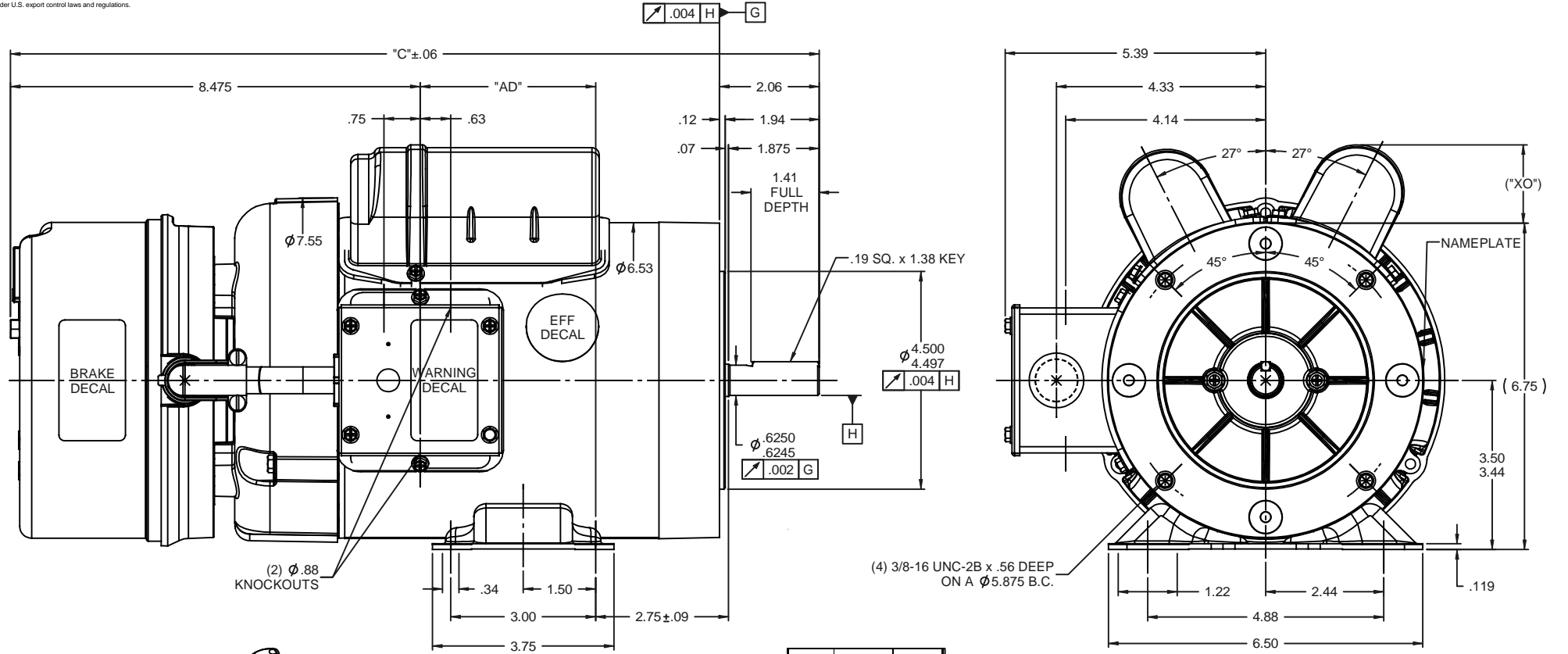


RBC PROPRIETARY AND CONFIDENTIAL INFORMATION  
 This document is the property of REGAL BELOIT CORPORATION ("RBC") including its subsidiaries and divisions and contains proprietary information of RBC. This document is loaned on the express condition that neither it nor the information contained therein shall be disclosed to others without the express written consent of RBC, and that the information shall be used by the recipient only as approved expressly by RBC. This document shall be returned to RBC upon its request. This document may be subject to certain restrictions under U.S. export control laws and regulations.



DASH NO.	"C"	"AD"	CAP DASH	"XO"
600	16.23	3.13		
650	16.73	3.63		
700	17.23	4.13	A	1.15
750	17.73	4.63	B	1.60
800	18.23	5.13	C	1.82
850	18.73	5.63		

NOTE:  
 1) GASKETS THROUGHOUT

REVISION		BY & DATE	CHK ANG ±1/2°	FINISH	SIZE	DRAWING NO	REV
THIRD ANGLE PROJECTION		RFP 12/19/08	PREV		B	028935	

TOLERANCES UNLESS SPECIFIED:	DEC INCHES	TITLE	DRAWN
x	±.1	OUTLINE - E56 FRAME	GRB 12/19/08
.xx	±.03	TEFC - BRAKEMOTOR	DJ 12/19/08
.xxx	±.005		DJ 12/19/08
.xxxX	±.0005		

NO.	REF	SCALE	PAGE	OF
	OL111951	1:2	1	1
	111951.00			