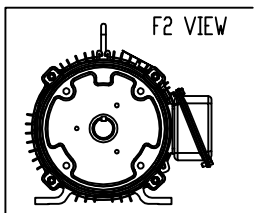
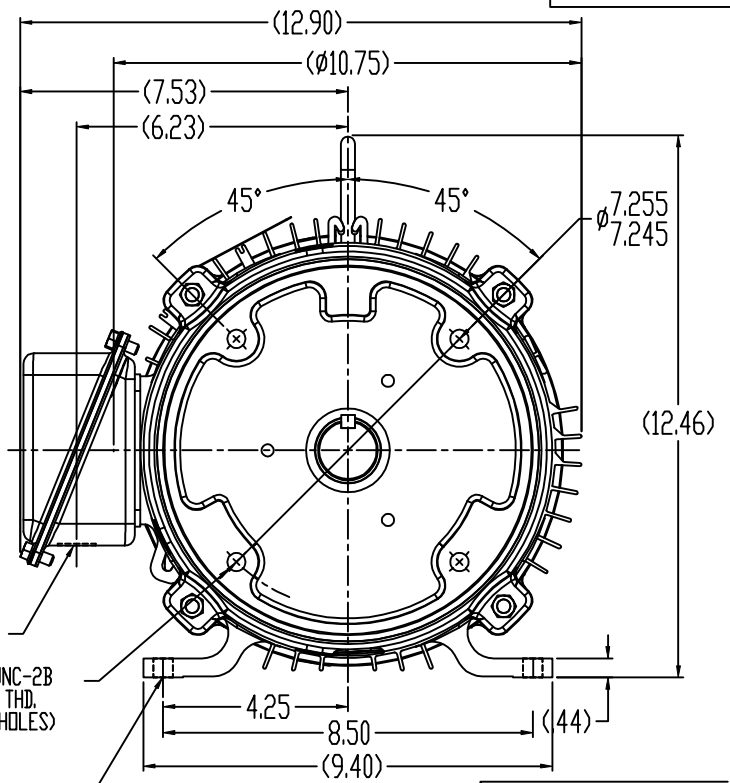
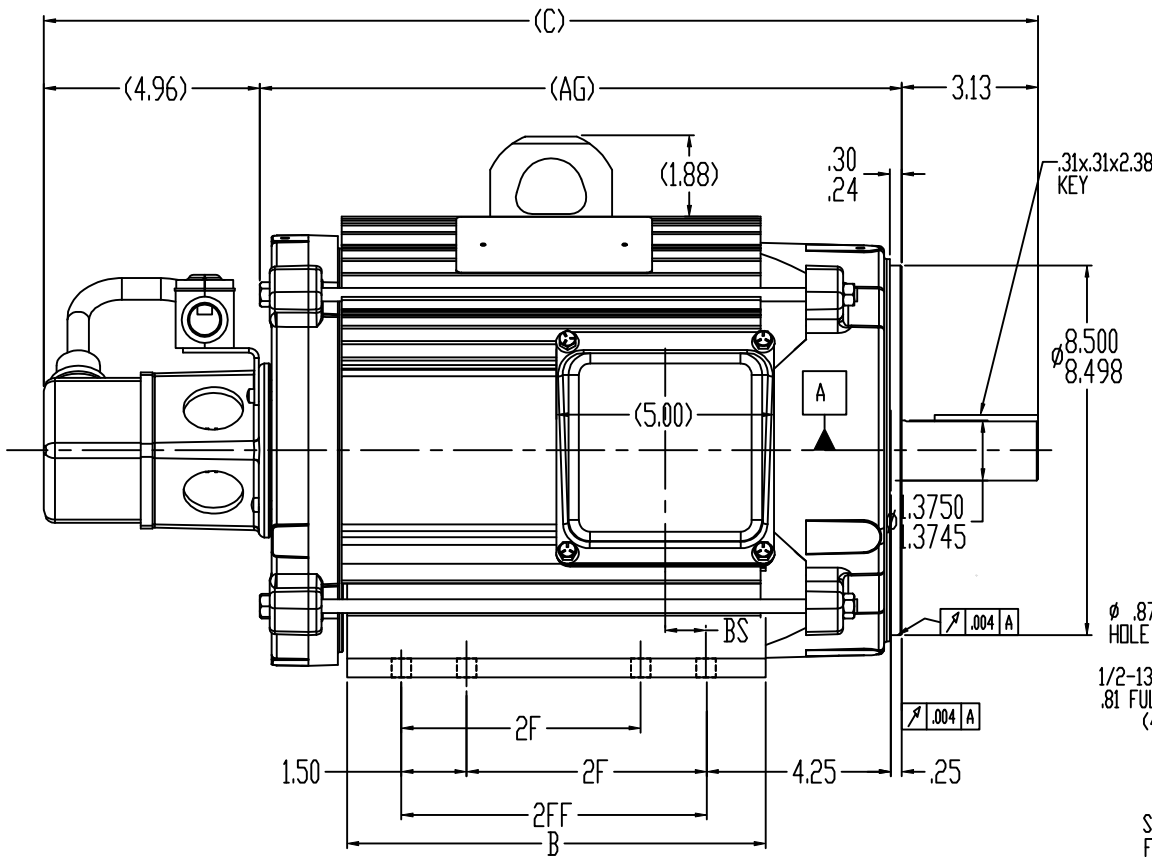


SS330213LN



NOTES:  
 1- NAMEPLATE TO BE READ FROM C'BOX SIDE OF MOTOR  
 2- BOX CAN BE MOUNTED ON OPPOSITE SIDE BY REMOVING BRACKETS & TURNING FRAME 180°  
 \*- DASH -950 IS SHOWN

DASH	FRAME	C	AG	B	2F	2FF	BS	FOOT HOLES QUANTITY
800	213TC	21.14	13.05	8.12	5.50		0.93	4
*950	213/5TC	22.64	14.55	9.62	5.50	7.00	0.93	8

TOLERANCES UNLESS SPECIFIED				DRAWN	VV 03/21/2007
DEC	INCHES			CHK	AT 03/21/2007
X	±.1	TITLE	OUTLINE	APPR	AT 03/21/2007
XXX	±.005	210TC FR. - TENV - W/ ENCODER		SCALE	3/8
XXXX	±.0005	MATL		REF	
NO	REVISION	BY & DATE	CHK	FINISH	PREV
THIS DRAWING IN DESIGN AND DETAIL IS OUR PROPERTY AND MUST NOT BE USED EXCEPT IN CONNECTION WITH OUR WORK. ALL RIGHTS OF DESIGN AND INVENTION ARE RESERVED. THIS IS AN ELECTRONICALLY GENERATED DOCUMENT - DO NOT SCALE THIS PRINT		CHK	MWG ±7'30"	PREV	MU78310
RFP	03/22/2007	CAD FILE	SS330210LN	SIZE	B
JUST	LB	REV		DRAWING NO	SS330213LN